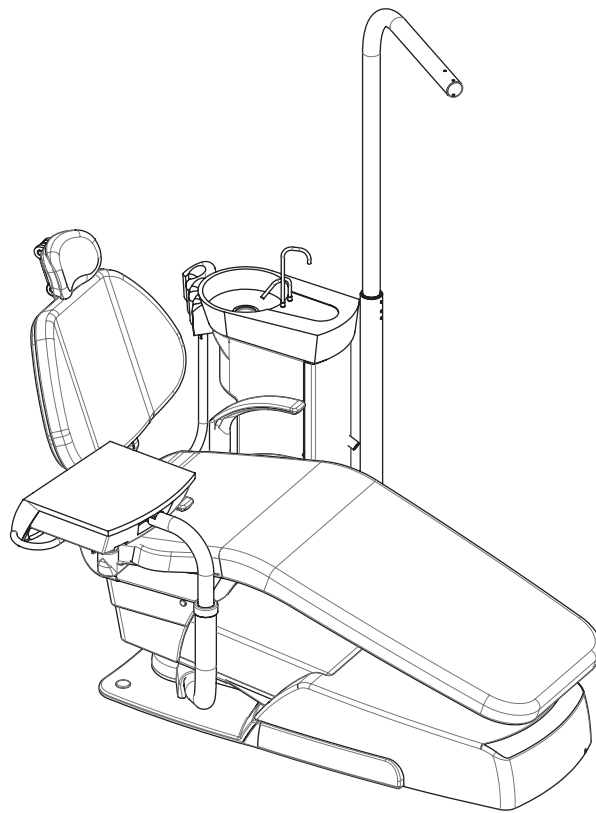


DENTAL UNIT AND CHAIR

Voyager III

INSTALLATION INSTRUCTIONS



IMPORTANT

This manual provides installation instructions for the Voyager III. The instructions contained in this booklet should be thoroughly read and understood before installing the Chair and Unit. After the installation has been completed, keep this manual in a safe place and refer back to it for future maintenance

 **Belmont**

TABLE OF CONTENTS

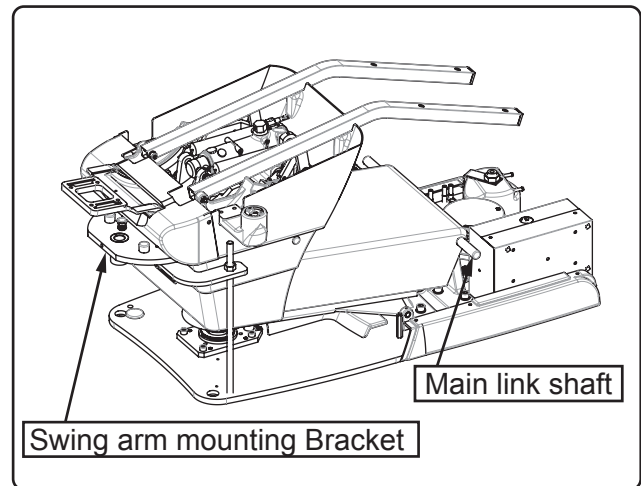
1. Precautions for Installation	1
2. Overview and Major Components	2
3. Dimensions and specification	3
4. Pre-Installation Requirements	4
5. Installation Position and Plumbing Layout	5
6. Installation Instruction	6-13
7. Drain Hose and Vacuum Hose Connection	14
8. Water and Air Supply Line Connection	14
9. Tubings connection	15
10. Electric Wires Connection	16
11. Installation of Dental Light	17-21
12. Installation of Backrest, Seat and Armrest	22
13. Adjustment	23-25
14. Chair Hydraulic Diagram	26
15. Unit Flow Diagram	27
15-1. Water / Air Flow Diagram	27
15-2. Doctor Table Flow Diagram (Water / Air)	28
16. Electrical Diagram	29
16-1. Unit Section (220V,230V,240V)	29
16-2. Chair Section (220V,230V,240V)	30
16-3. 701 DENTAL LIGHT 720 VGM	31
16-4. IO5000 DENTAL LIGHT 520-VG(220V,230V,240V)	32
16-5. 300LED DENTAL LIGHT TYPE 320S (220V,230V,240V)	33
17.Replacement	34
17-1.Power Supply Cable	34
17-2.Fuse	35

1. Precautions for Installation

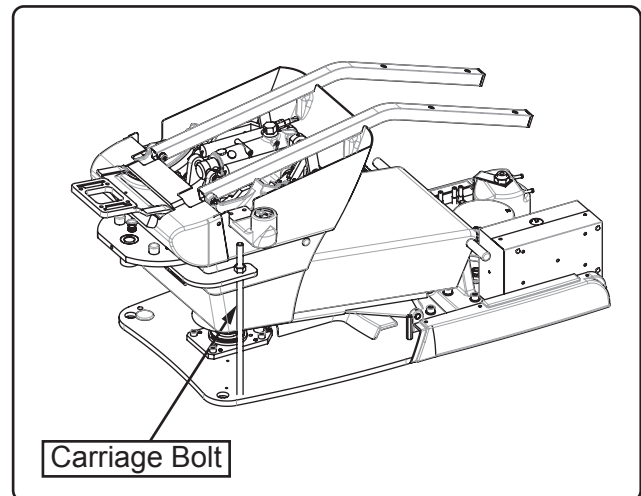
1. During lifting and unpacking of the chair, make sure to hold only the designated parts.
If not, it may lead to physical injury or property damage.

Remove the chair section by holding the parts as follows.

- Main link shaft
- Swing arm mounting Bracket



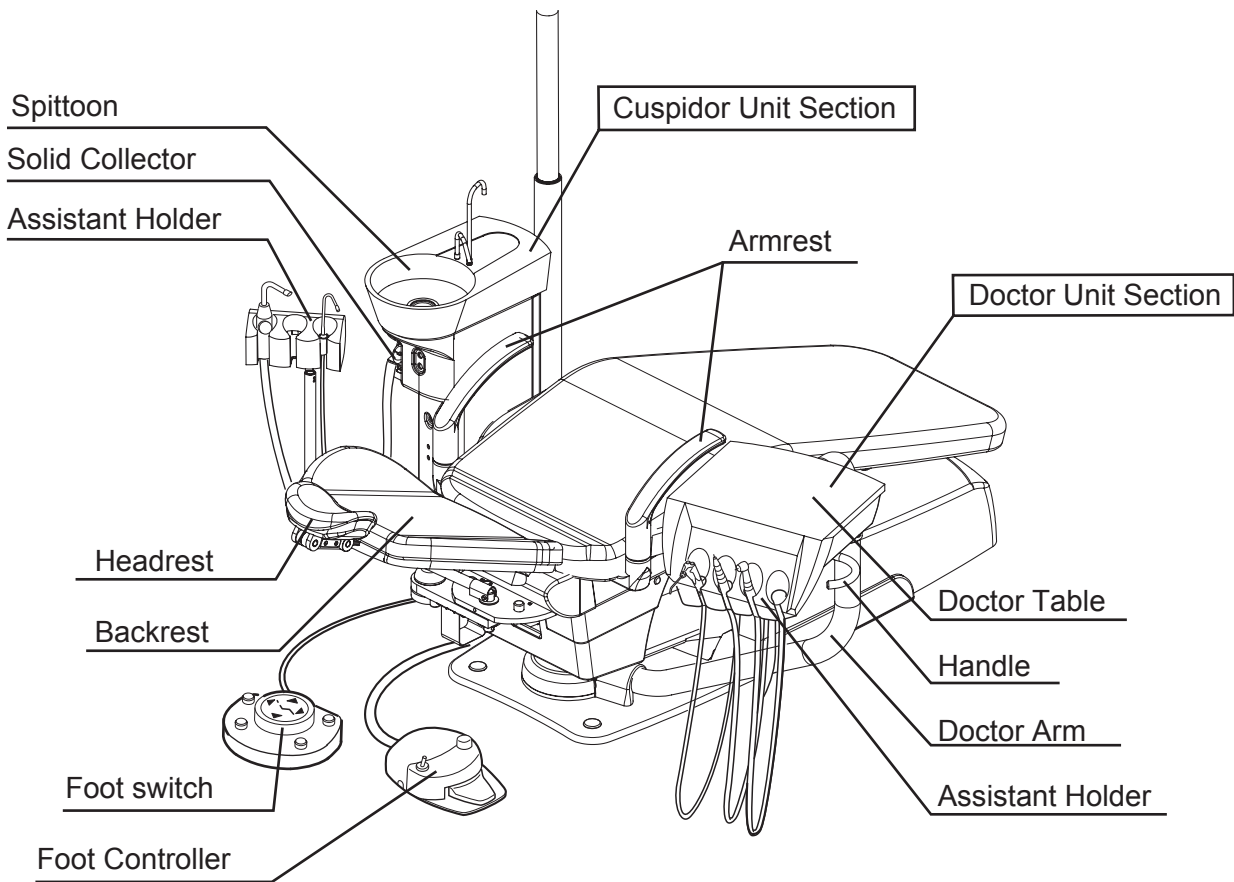
2. Confirm that the carriage bolt is tightened before carry the chair.



3. Take care not to topple the equipment during transportation.
4. Do not drop or hit the product.
5. Make sure that the floor plumbing construction is done properly.
6. Before install the junction box section, open the supply valves and flush out dust chips in the pipings.
7. Properly connect the tubings, drain hose and vacuum hose.
8. Chair must be fixed to the floor with bolts to prevent from falling down.
9. Do not connect the power supply other than rated voltage.
10. Properly connect ground wires.
11. Adjust the leveling of the chair base plate, avoid the swing its self of the doctor table and the dental light.
12. When the installation process has been completed, Check water leaks, air leaks, verify that all the mechanical and electrical functions are working properly.

2. Overview and Major Components

2-1. Overview



2-2. Junction Box Section

Water main valve (inside junction box)

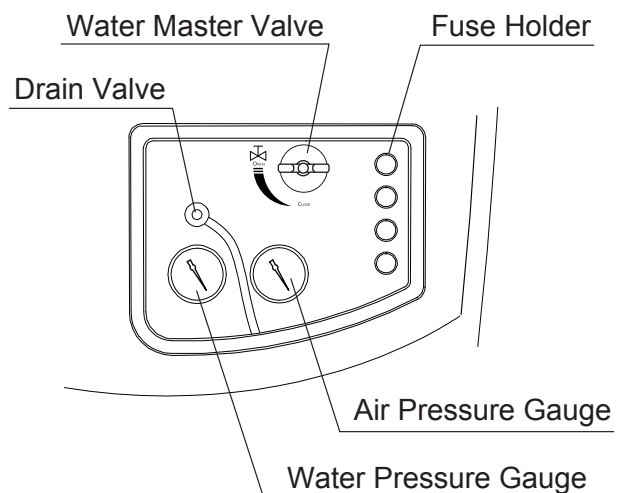
Turn clockwise to open and counter-clockwise to close.

Drain valve

This valve is for draining the water in the air filter.

Fuse holder

- The main fuse of units is built-in.
- Turn off the main switch when replacing the fuse.
- The capacity of the fuse displays it on the left side of the fuse holder.



Following symbols are printed on the packing which is necessary information for storage and transportation.



THIS WAY
UP Mark



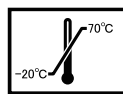
FRAGILE,
HANDLE
WITH
CARE Mark



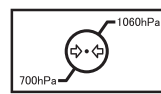
STACKING
LIMIT BY
NUMBER
Mark



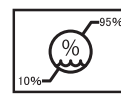
KEEP DRY
Mark



TEMPERATURE
LIMITATION
Mark



AIR PRESSURE
LIMITATION
Mark



HUMIDITY
LIMITATION
Mark



COMPLY
WITH MDD,
93/42/EEC
(Sticking depends
on country.)

3. Dimensions and Specifications

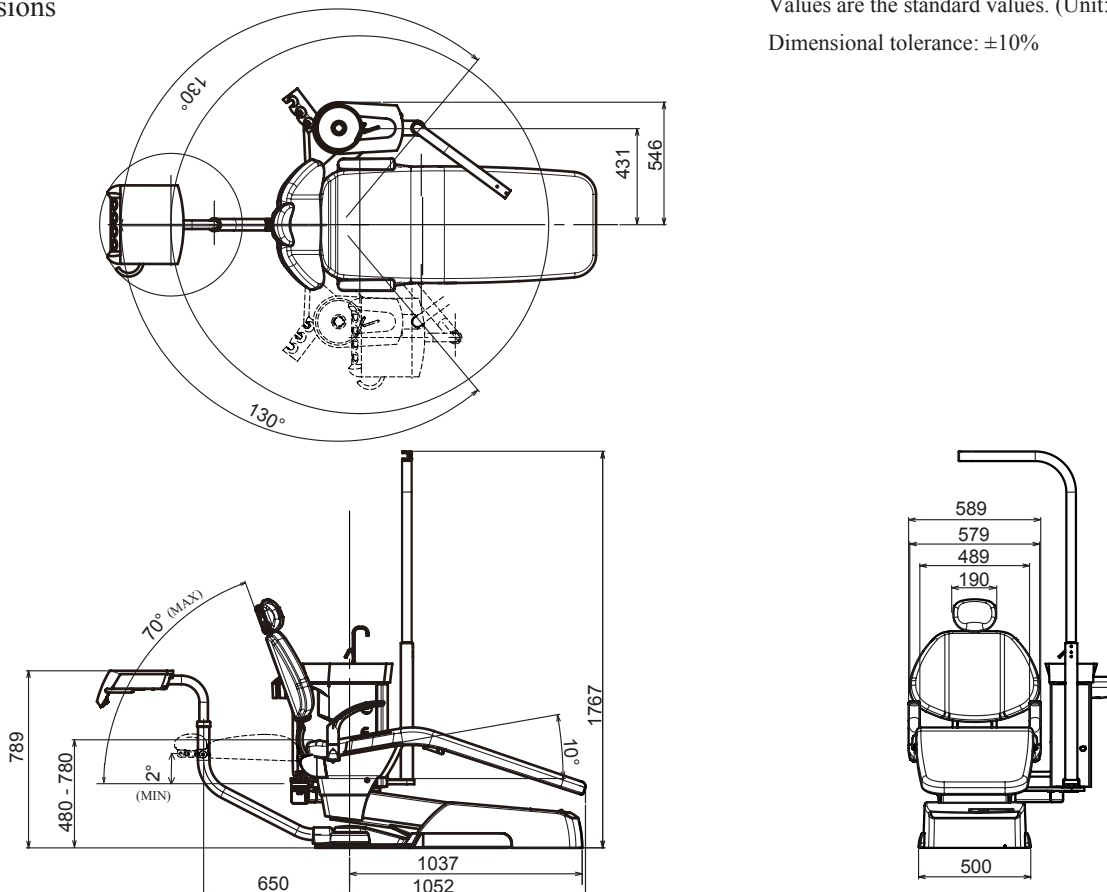
- Rated voltage : AC230V
- Rated Frequency : 50/60HZ
- Rated input : 4.0/4.0A
- Fuse : Primary
 Junction Section : 8.0A/250V (Breaking capacity : 80A/250VAC)
 Operating speed : Time lag Size : 5.0 x 20mm
- Chair : 5A/250V (Breaking capacity : 50A/250VAC)
 Operating speed : Fast blow Size : 5.0 x 20mm
- Power Plug : 13A/240V(Breaking capacity : 6kA/264VAC)
 Operating speed : Fast blow Size : 6.3 x 25.4mm
- Secondary
 Cuspidor Section : 6.3A/250V (Breaking capacity : 63A/250VAC)
 Operating speed : Fast blow Size : 5.0 x 20mm

- Weight : Doctor Unit + Cuspidor Unit 66kg
 Chair 145kg
- Patient capacity : 135kg
- Load capacity : Doctor table 3kg
- Main air pressure : 0.45-0.5MPa
- Main water pressure : 0.1-0.2MPa
- Classification of foot controller : IPX1(applicable standard IEC60529)
- Protection class against electric shock : Class I equipment
- Applied part : type B applied part
 Unit : Handpiece / Chair : Seat & Backrest
- Mode of operation : Non-Continuous Operation
 Duration of Maximum Operating Time : 3min, DUTY 1:11
- Lifetime : 10years

Equipment is not suitable for use in environments with, flammable anesthetic gases, oxygen or nitrous oxide

Dimensions

Values are the standard values. (Unit: mm)
 Dimensional tolerance: ±10%



4. Pre-Installation Requirements

General requirements

The place on which the VOYAGER III is set must have an endurance force of 500kg/m²

Setting requirements

1) Following capacities are required electric supply, water supply and air supply.

Electric supply : AC230 Type Single Phase 50/60 Hz : 10 A
Water supply : Water Pressure 0.2MPa - 0.4MPa Water Supply Capacity 6L/min
Air supply : Air Pressure 0.5MPa - 0.7MPa Compressed Air Supply Capacity 100L/min

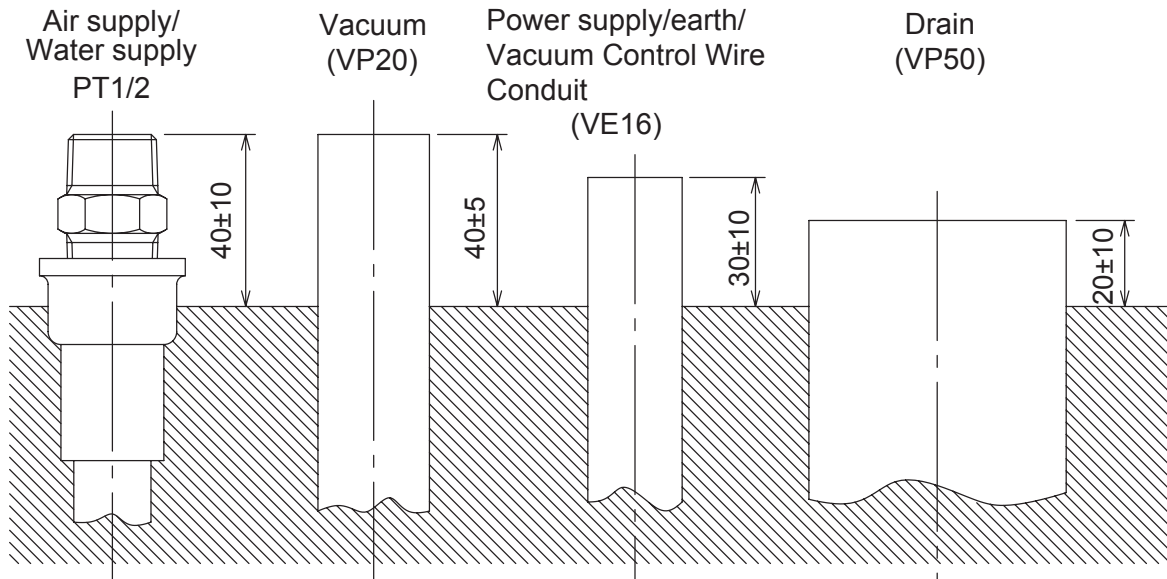
2) Piping and plumbing requirements

Before install the junction box section, open the supply valves and flush out dust chips in the pipings.
Recommended size, material and end piece as shown below.

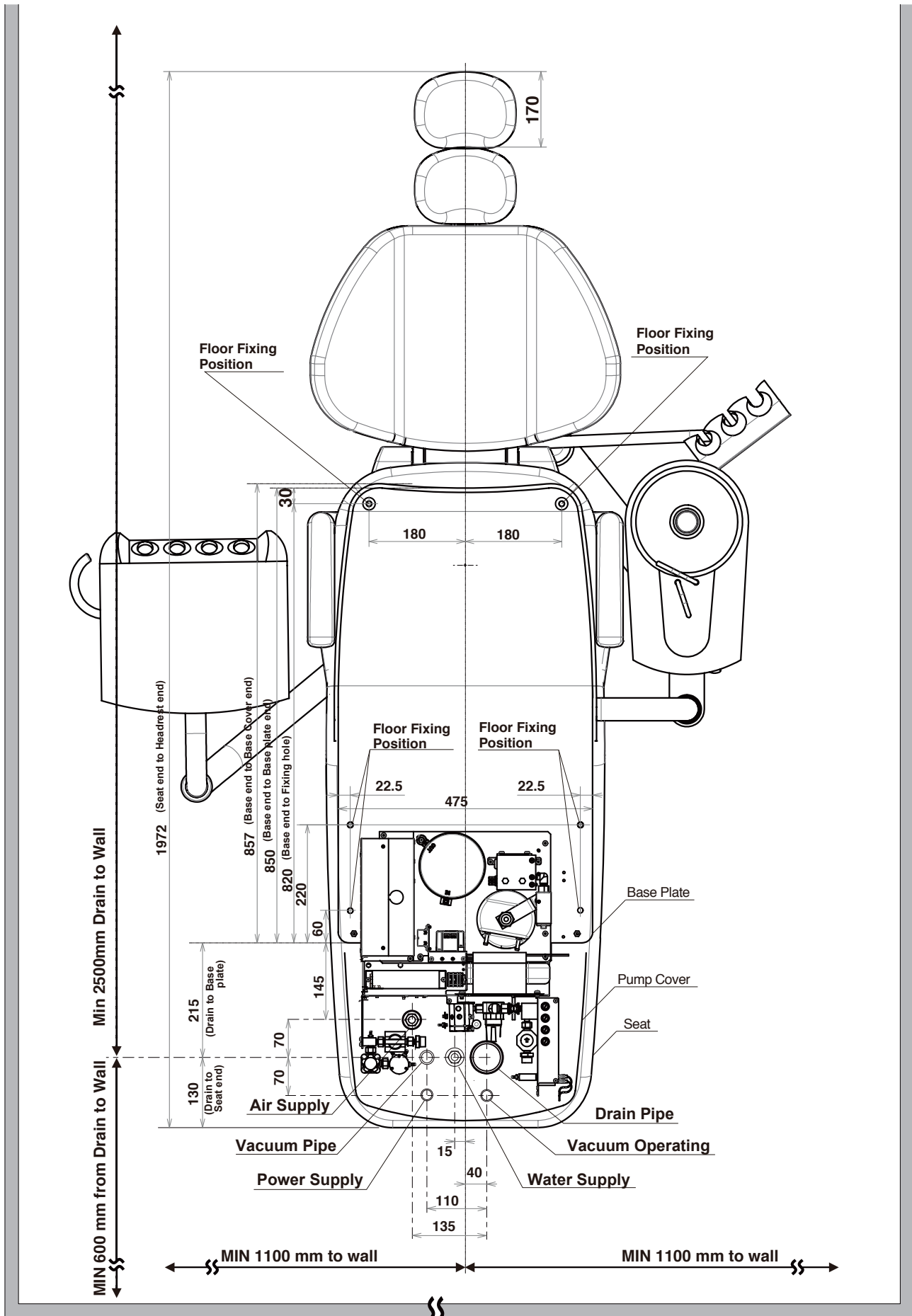
Electric supply : An outlet with a ground is used. P.V.C(VE16) : 30mm on the floor All cables should have at least 300mm surplus from the P.V.C pipe
Water supply : PT1/2 Installation of a water stop valve (main valve/driver type) PT1/2 nipple : 40mm on the floor
Air supply : PT1/2 Installation of a water stop valve (main valve/driver type) PT1/2 nipple : 40mm on the floor
Drain : P.V.C(VP50) : 20mm on the floor (Installation reference mark) inclination of 1/200 - 1/400 Vacuum : P.V.C (VP20) : 40mm on the floor inclination of 1/200 - 1/400 Vacuum Control Wire Conduit : VVF ϕ 1.6-2Ccoad (The operational line which connects a vacuum pump with the unit) P.V.C (VE16) : 30mm on the floor. All cables should have at least 300mm surplus from the P.V.C pipe

Piping and plumbing drawings

*The following diagram is height of piping and plumbing from floor. Please see the next page for plumbing layout.

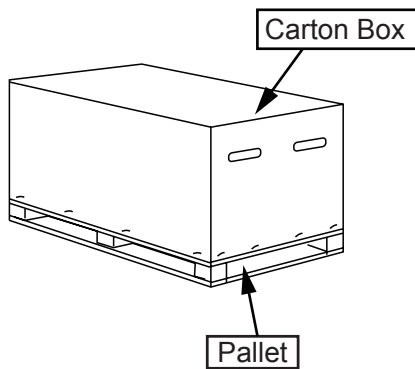


5. Installation Position and Plumbing Layout



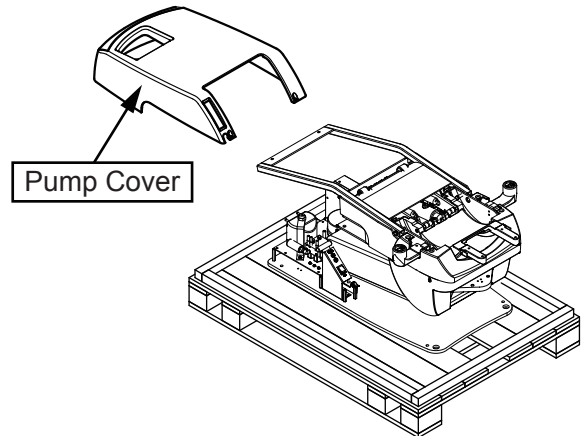
6-1. Installation Instructions

(1)



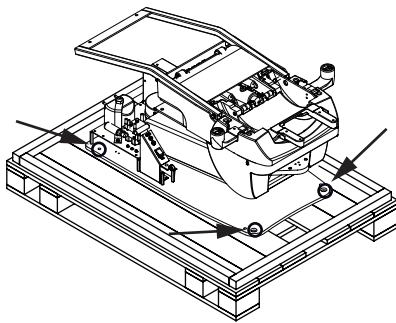
Remove all the staples fixing the carton box to the pallet and remove the carton.

(2)



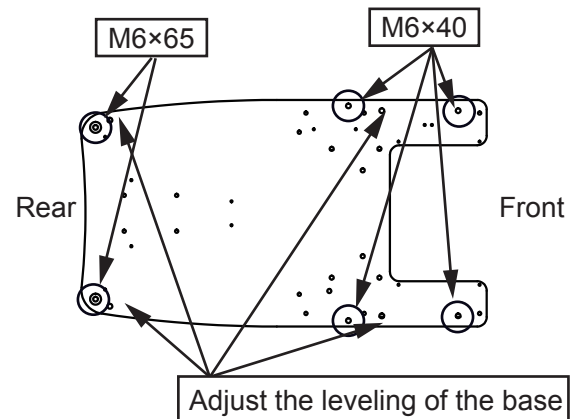
Remove the pump cover.

(3)



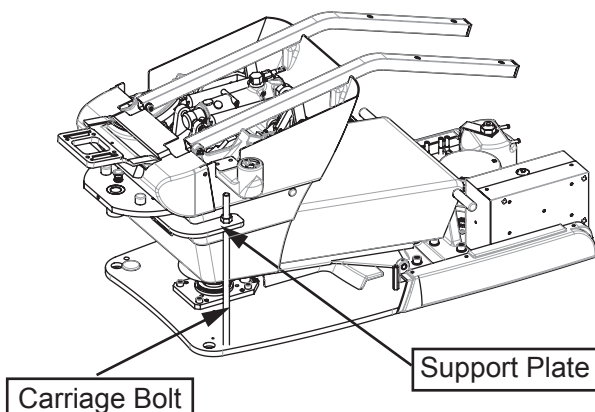
Remove M6 x 50 wood screws from the base.
Remove the base section from the pallet and place it at the planned location.

(4)



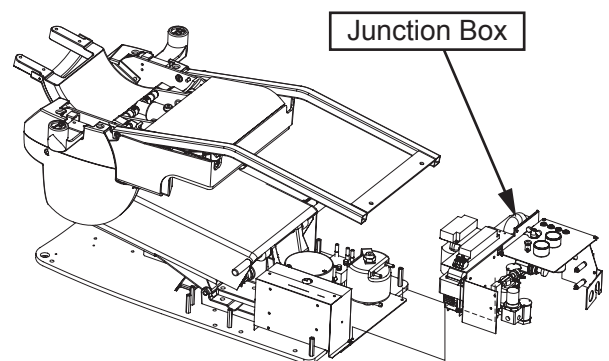
Adjust the leveling of the base with (4) M12 x 10 set screws. Fix the base on the floor with (2) M6 x 65 and (4) M6 x 40 coach bolts.
*Chair must be fixed to the floor with bolts to prevent from falling down during installing the unit.

(5)



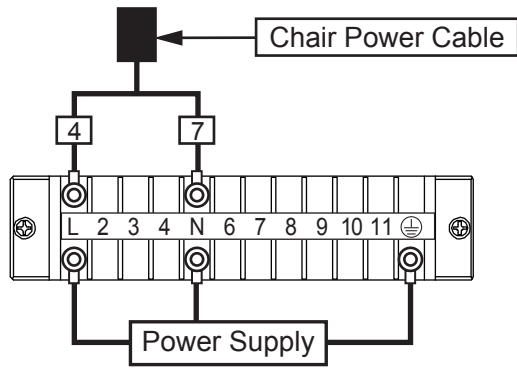
Before lift the chair by upper structure, remove the carriage bolt and support plate from the chair.

(6)



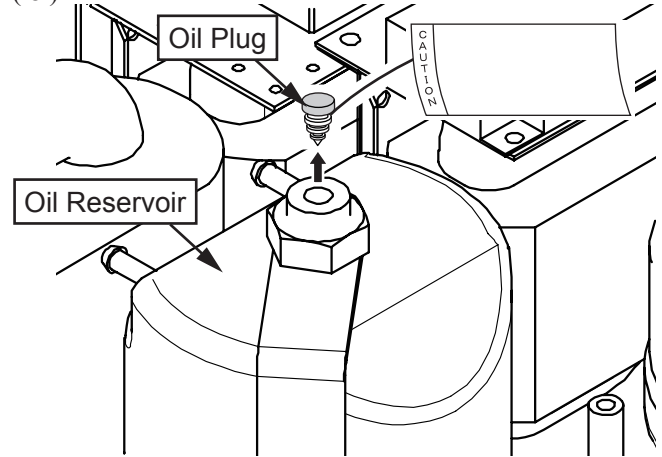
Fix the junction box to the chair base plate with (2) M5 x 10 pan head screws.

(7)



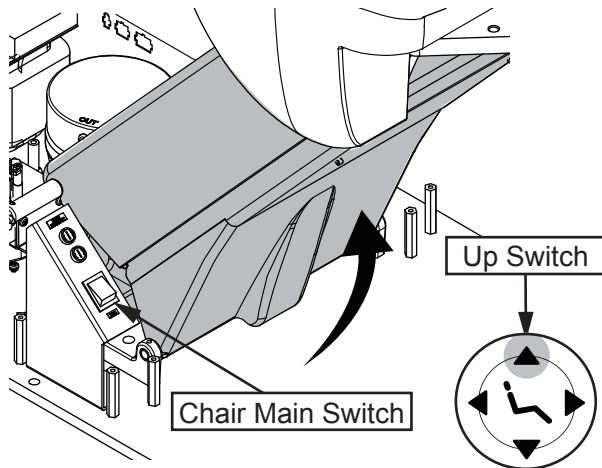
Connect the power supply line from floor to terminal block L, N and earth in the junction box.
Then temporary connect the chair power cable to the terminal block L and N as shown on the above figure.

(8)



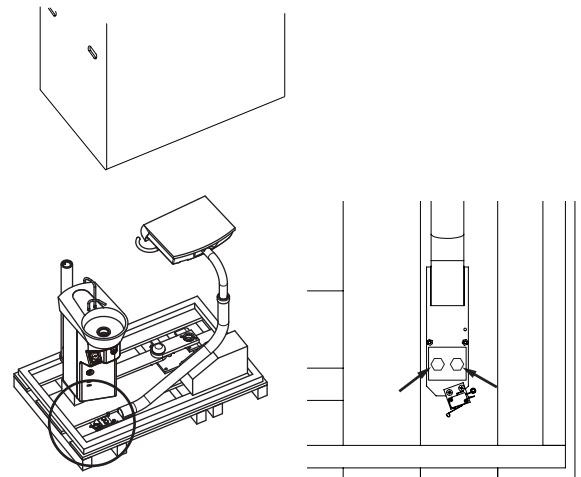
Remove the red tagged oil plug from the oil reservoir.

(9)



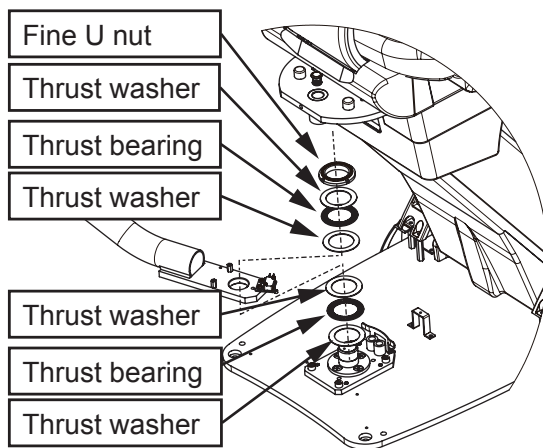
Turn on the chair main switch. Lift up the upper structure by the foot switch to the highest position. Turn off the chair main switch after then.

(10)



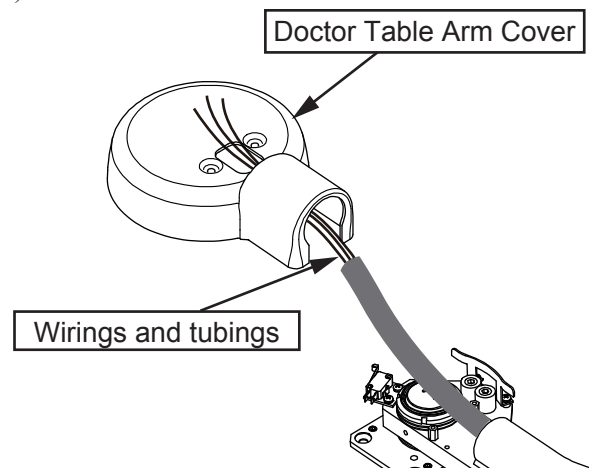
Remove two hex bolts fixing the doctor table to the pallet. Remove the doctor table and place it at planned location.

(11)



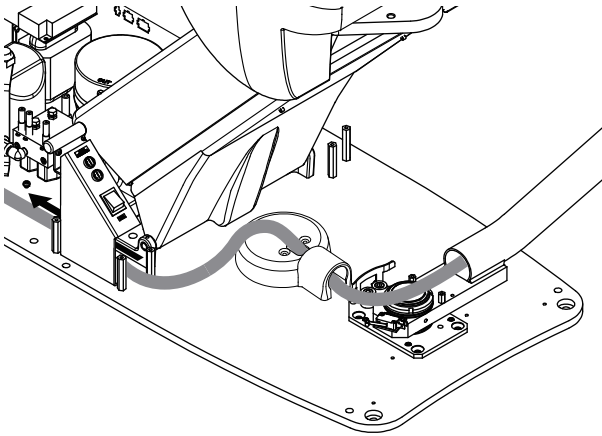
Fix the doctor table to the chair base plate with fine U nut, thrust washer, thrust bearing.

(12)



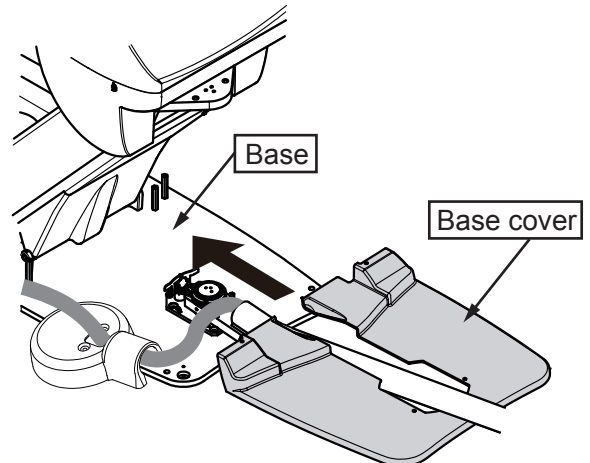
Pass the wirings and tubings through the doctor table arm cover.

(13)



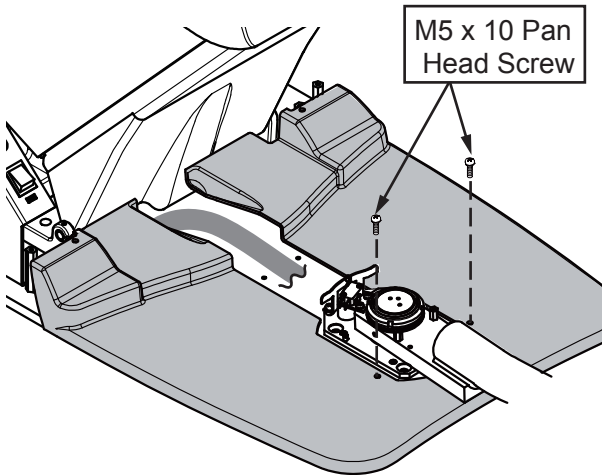
Pass the wirings and tubings through the junction side from under chair power switch.

(14)



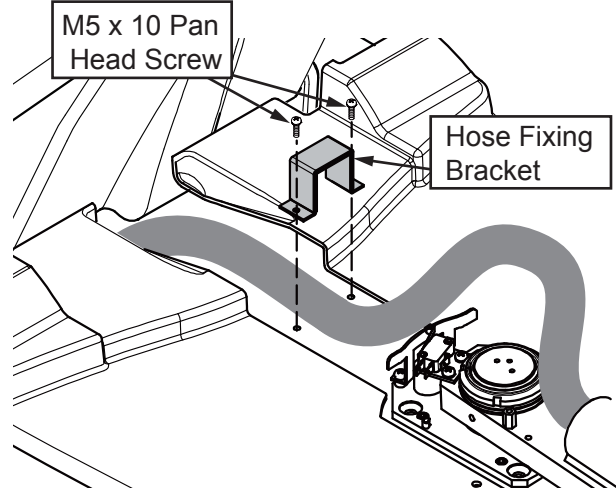
Move the doctor table arm to twelve o'clock. Insert the base cover under the doctor table arm and put it on the base plate.

(15)



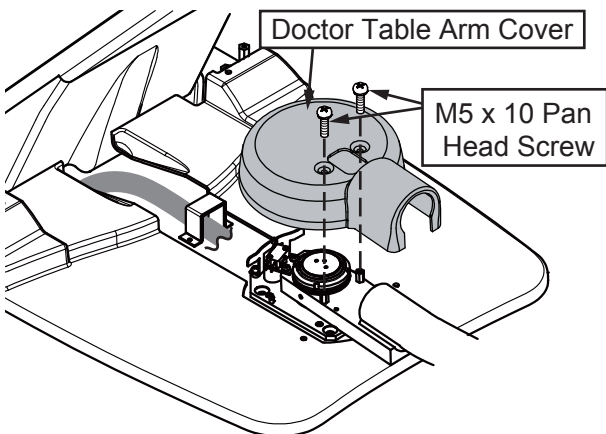
Fix the base cover to the base plate with (2) M5 x 10 pan head screws.

(16)



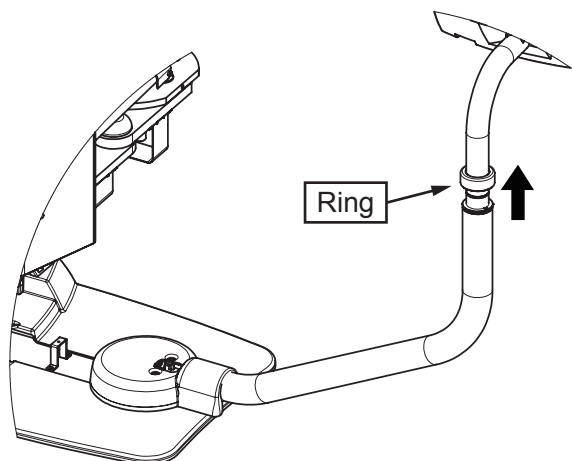
Fix the wirings and tubings of doctor table arm with hose fixing bracket. ((2) M5 x 10 pan head screws.)

(17)

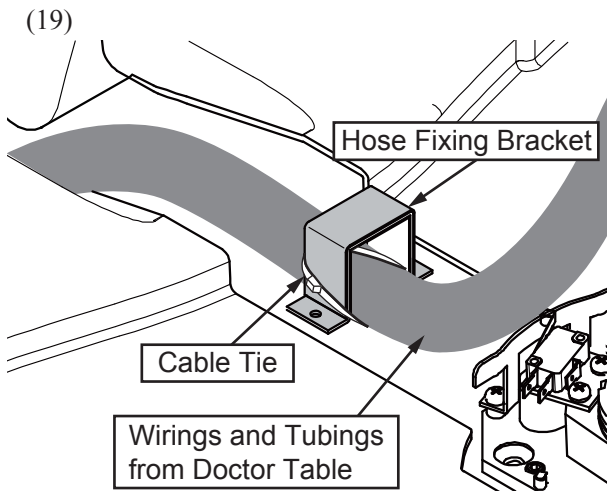


Fix the doctor table arm cover to the base with (2) M5 x 10 pan head screws.

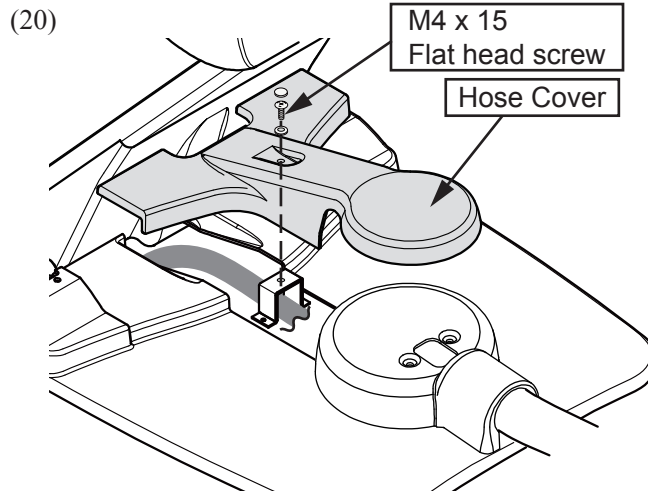
(18)



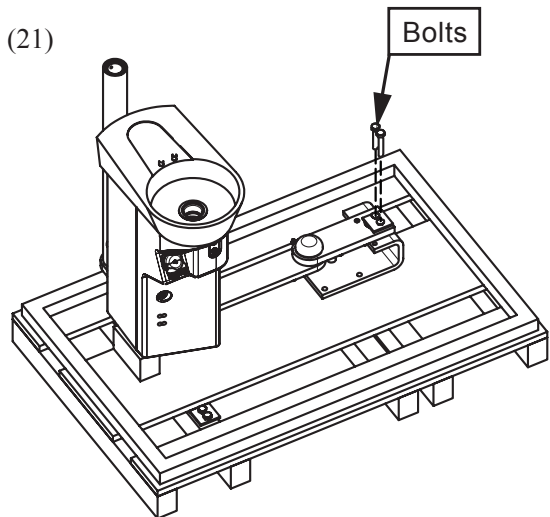
Move the doctor table arm to twelve o'clock. Pull up the doctor table to the highest position, and fix the ring at the upmost position.



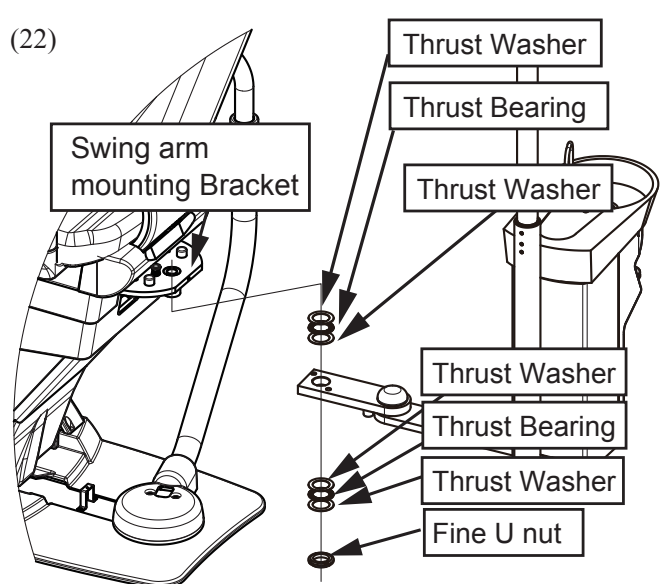
Fix the wirings and tubings of the doctor table to the hose fixing bracket with cable tie.



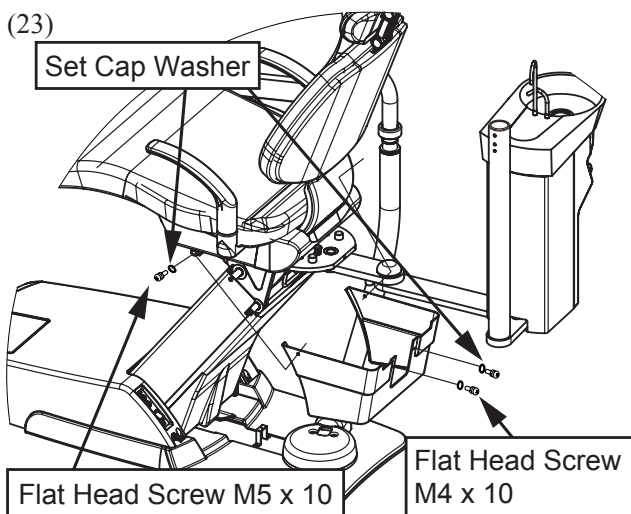
Fix the hose cover to the hose fixing bracket with (1) M4 x 15 flat head screw, set cap washer and set cap cover (Gray).



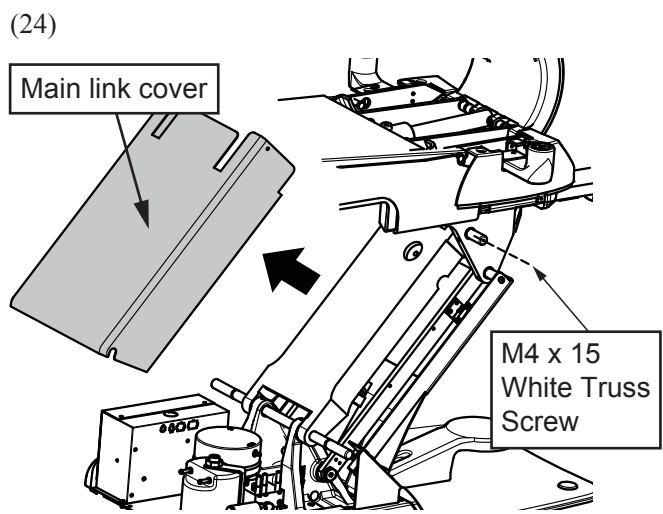
Remove a cuspidor unit section fixing bolts.



Fix the cuspidor unit section to the chair swing arm mounting bracket with fine U nut, thrust washer and thrust bearing.

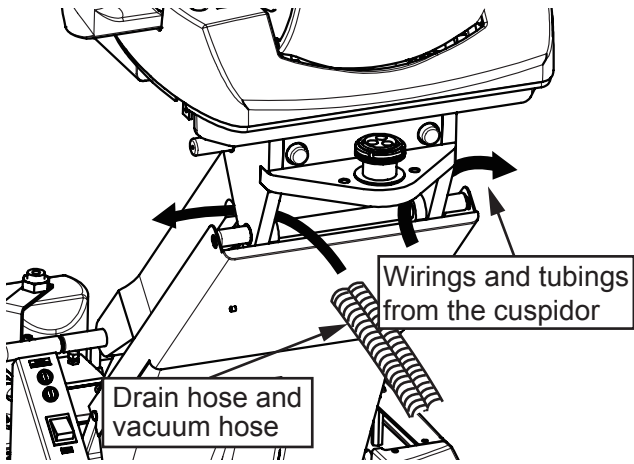


Remove the flange cover by removing the set cap, set cap washer, M5 x 10 flat head screw and M4 x 10 flat head screws.



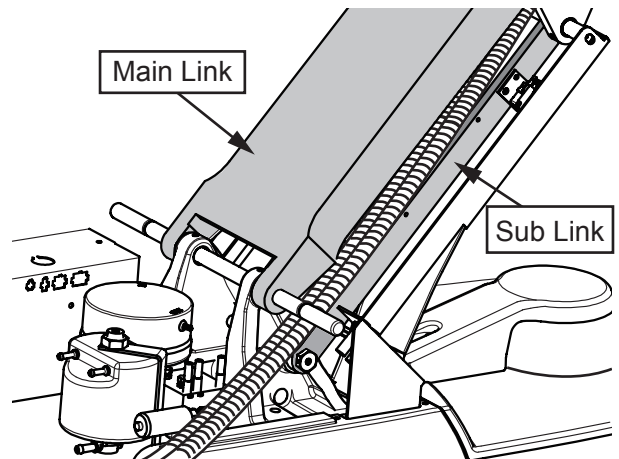
Remove the main link cover by removing the (2) M4 x 15 white truss screws. (left and right side)

(25)



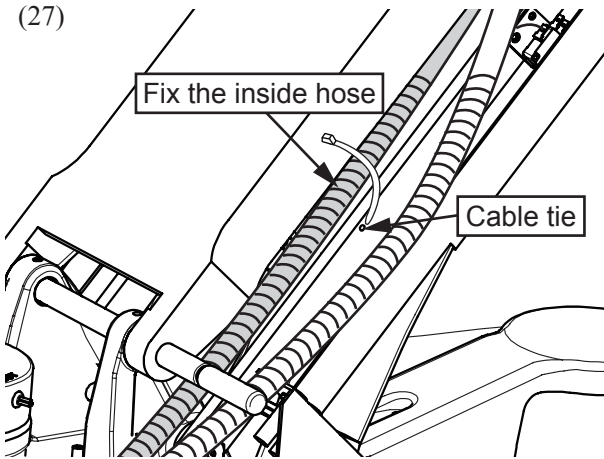
Pass the drain hose and vacuum hose through left side of link and the wirings and tubings through right side of link of the chair to junction box.

(26)



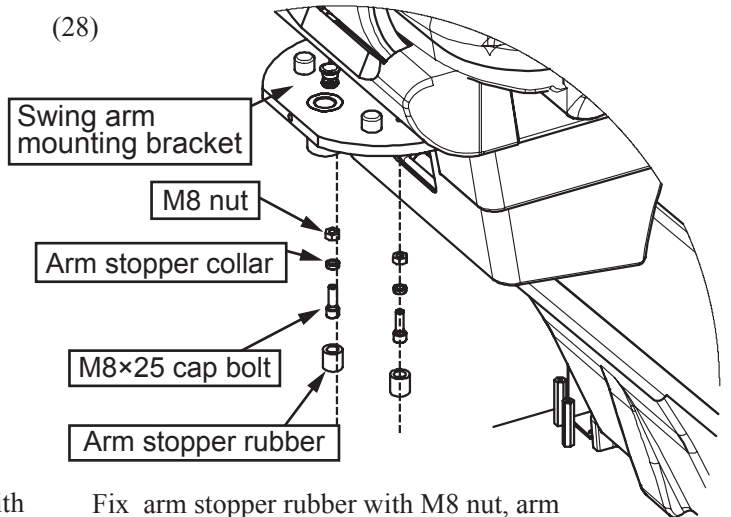
Pass the drain hose and vacuum hose through along between left side of the main link and sub link.

(27)



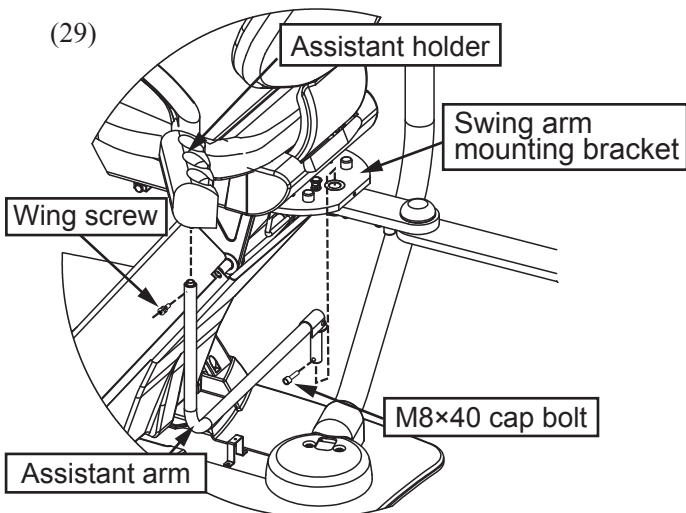
Fix the one of the hose (inside hose) to the sub link with the cable tie.

(28)



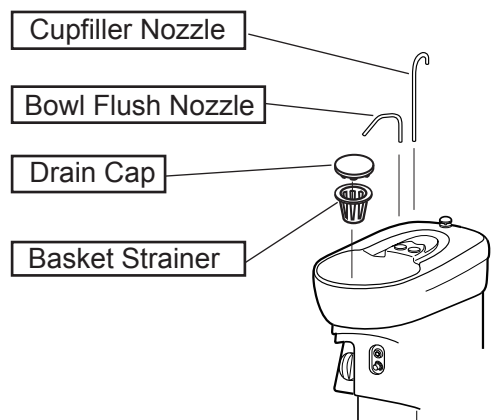
Fix arm stopper rubber with M8 nut, arm stopper collar and M8x25 cap bolts to the swing arm mounting bracket.

(29)

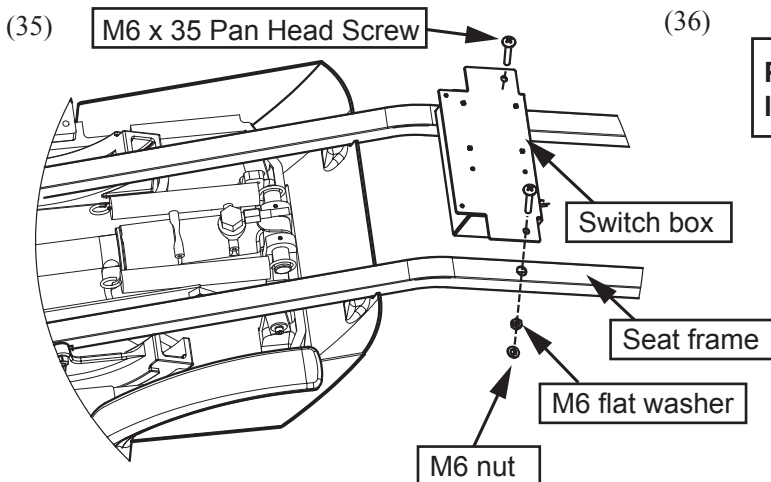
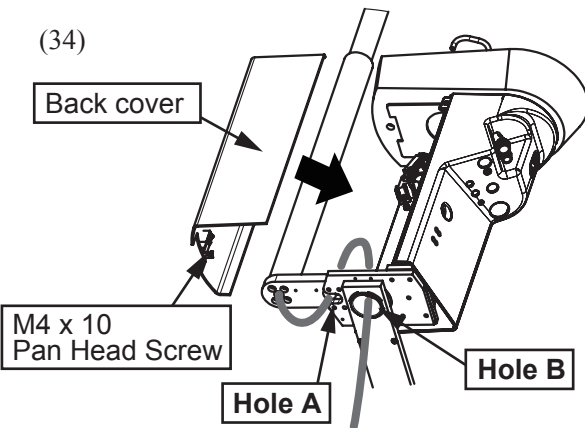
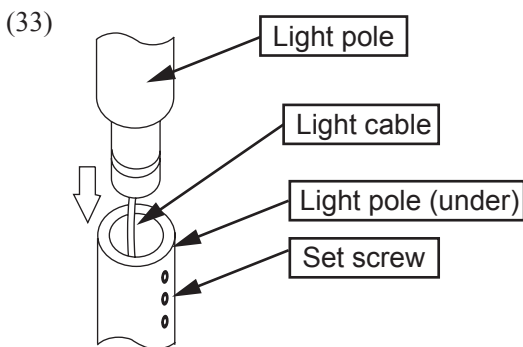
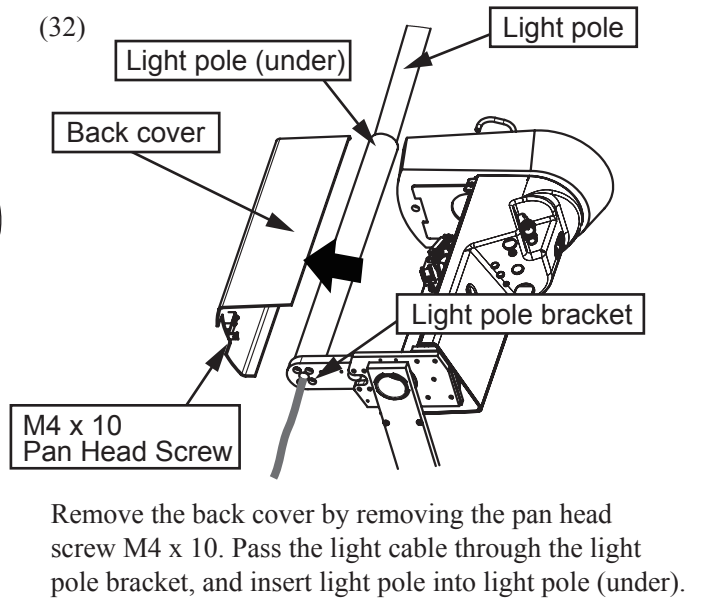
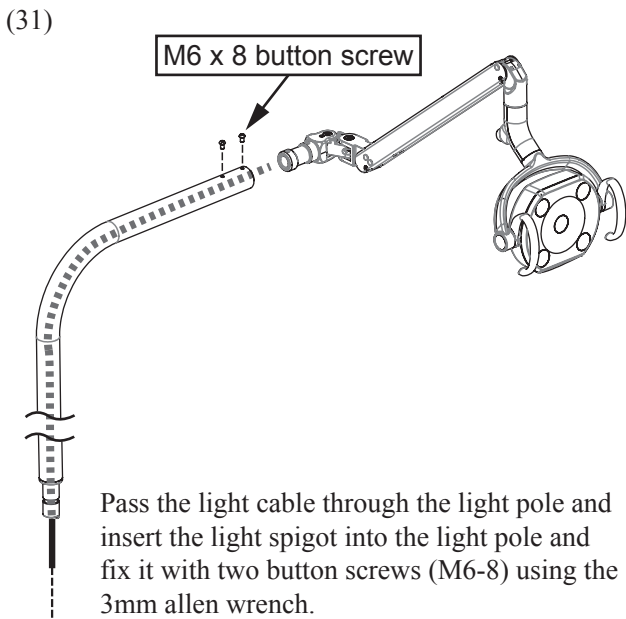


Insert the assistant arm to the swing arm mounting bracket and fix with M8 x 40 cap bolt. Attach the assistant holder to the assistant arm and fix with wing screw.

(30)



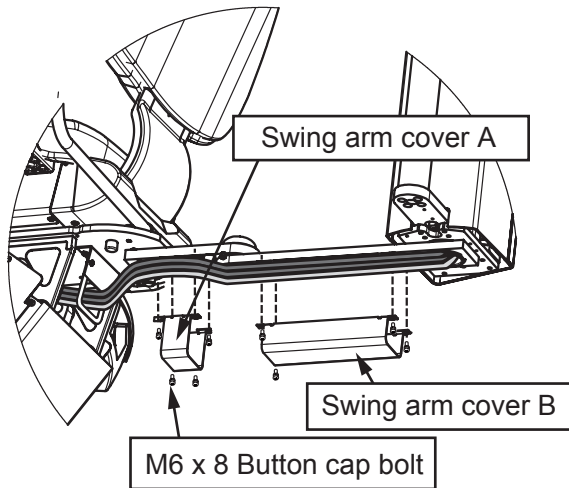
Insert the cupfiller nozzle and bowl flush nozzle into each hole on the cuspidor top. Set the drain cap and basket strainer in the center of spittoon.



(36)

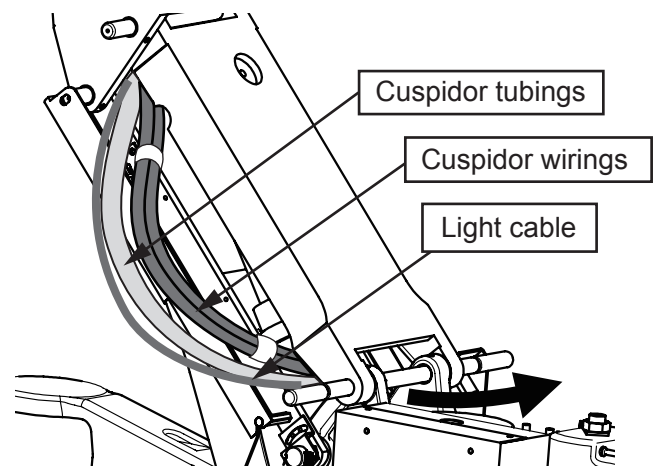
Please refer to 11. installation of dental light for details.

(37)



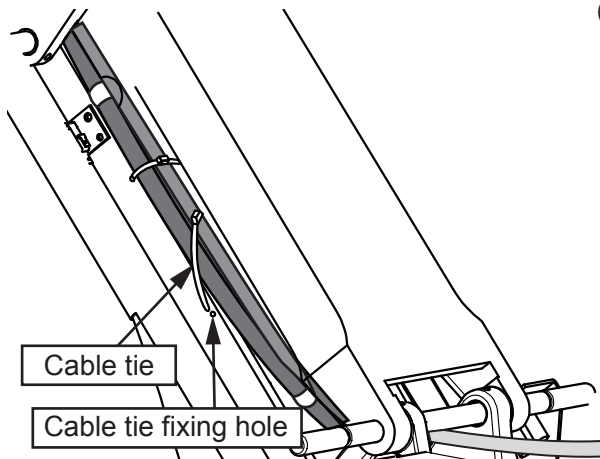
Fix wiring and tubing to swing arm using swing arm cover A&B with M6 x 8 button cap bolts. Please make sure that wiring and tubing not being loosened.

(38)



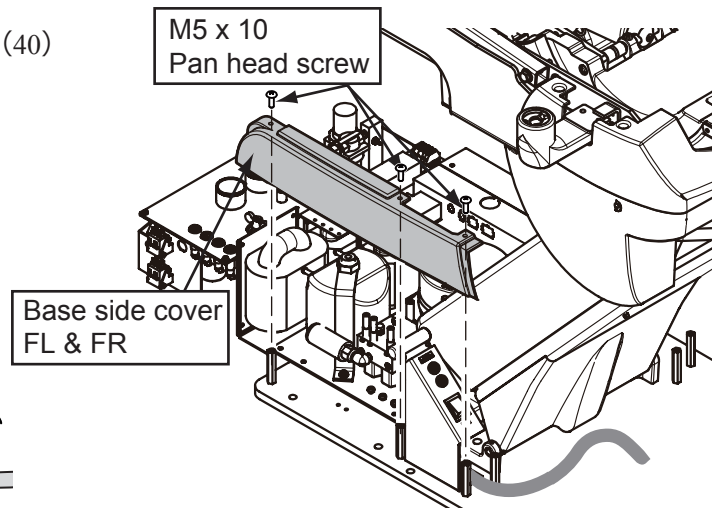
Pass the light cable, cuspidor wirings and cuspidor tubings through the right side of chair link portion.

(39)



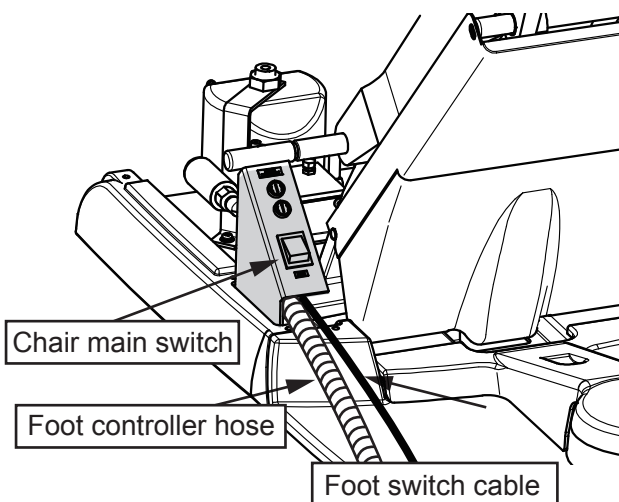
Fix the light cable and cuspidor wiring/tubing with cable tie.

(40)



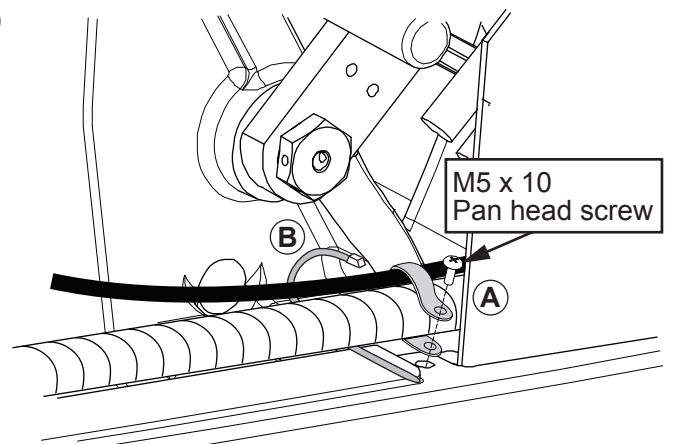
Attach base cover FL and FR with (2) M5 x 10 pan head screws (3 locations)

(41)



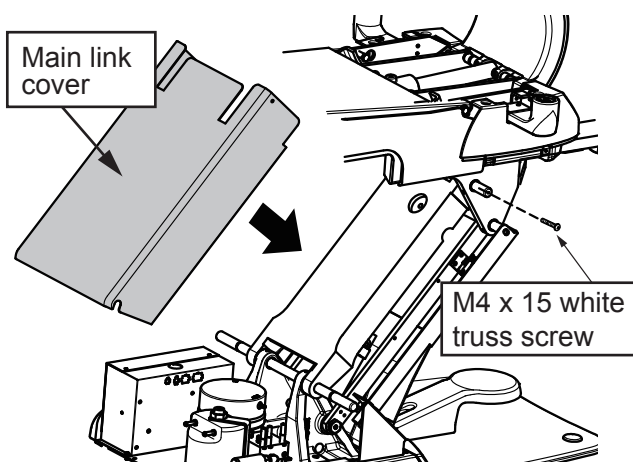
Pass the foot controller hose and foot switch cable through under chair main switch.

(42)



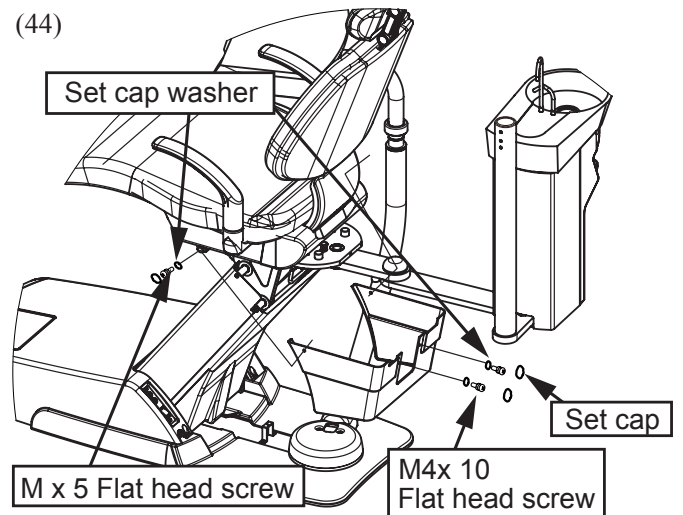
- Ⓐ Remove the M5 x 10 pan head screw fixing the base side cover. Fix the foot controller hose and foot switch cable with clamp.
*Recommended length of foot controller hose is 900mm from the clamp.
- Ⓑ Fix them with cable tie.

(43)



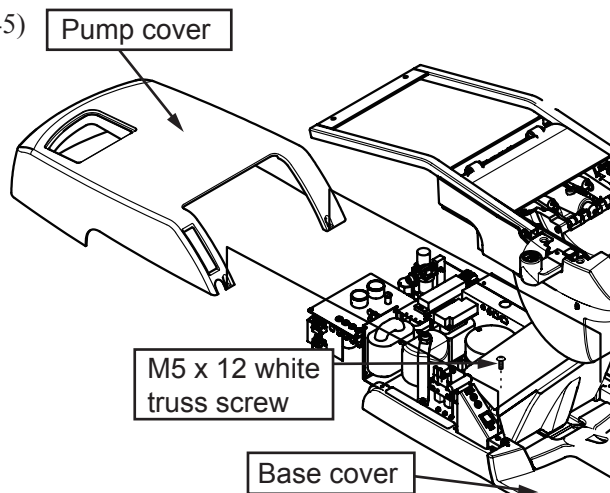
Fix the main link cover with (2) M4 x 15 white truss screws.

(44)



Fix the flange cover with (2) M5 x 10 flat head screws, (2) set cap washers, set cap and (2) M4 x 10 flat head screws, (2) set cap washers, set cap.

(45)



Fix the pump cover together with the base cover by M5 x 12 white truss screws.

* Please do this after the completion of all tubing and wiring.

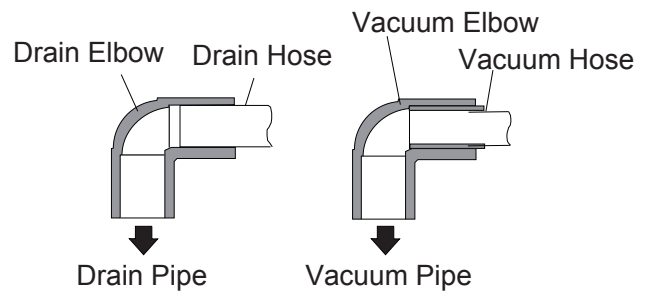
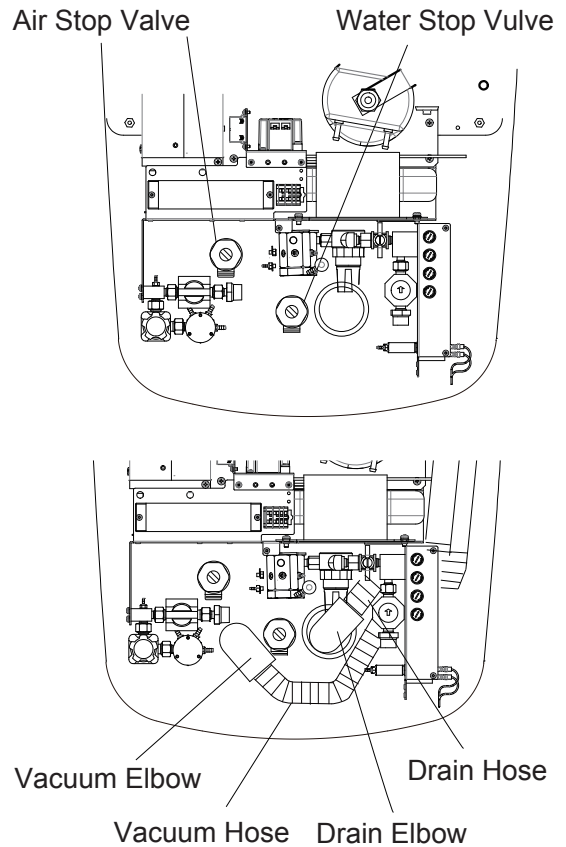
7. Drain Hose and Vacuum Hose Connection

- (1) Confirm that the pipings and wirings are laid out in accordance with right figure.
- (2) Install water and air stop valves to each supply pipe. The directions of stop valves are shown in right figure.
- (3) After installation of the stop valves, open the valves and flush out dust and chips in the pipings.

Note : Stop valves are packed in the unit section.

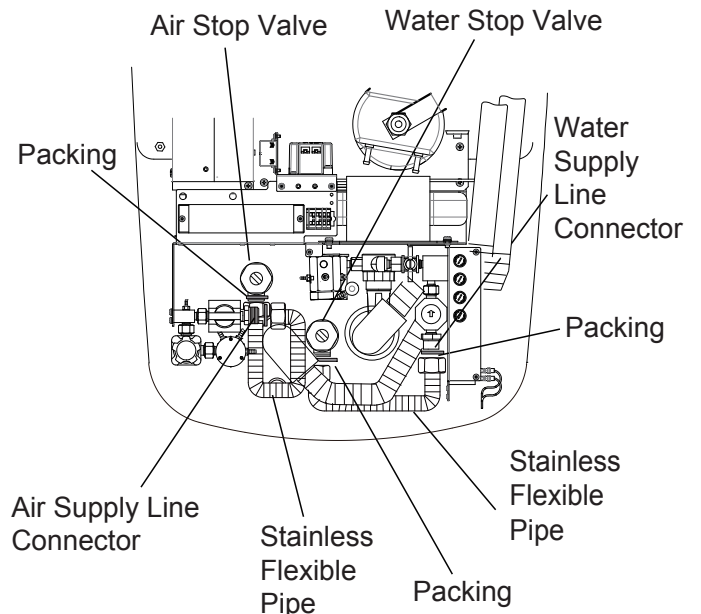
- (4) Run the drain hose and vacuum hose through and under junction section frame.
- (5) Cut the drain hose and vacuum hoses at suitable length and connect them to each elbow with plastic glue. (Pipe solvent)
- (5) Insert the drain hose elbow and vacuum hose elbow into each pipe.

Note : The Drain pipe should be sealed with silicone sealant or taping.



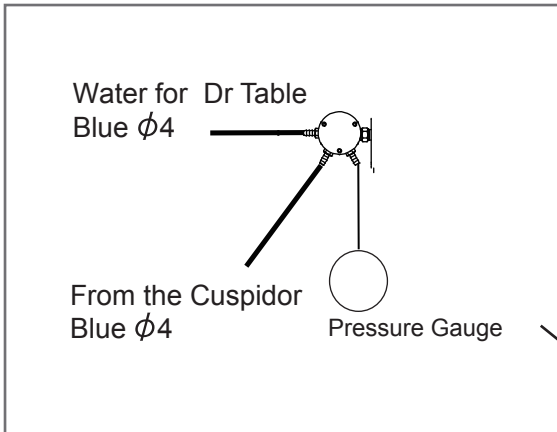
8. Water and Air Supply Line Connection

- (1) Bend each stainless flexible pipe to a suitable angle for connection.
- (2) Connect the water supply line to the water stop valve with the stainless flexible pipe and the packing.
- (3) Connect the air supply line to the air stop valve with the stainless flexible pipe and the packing.

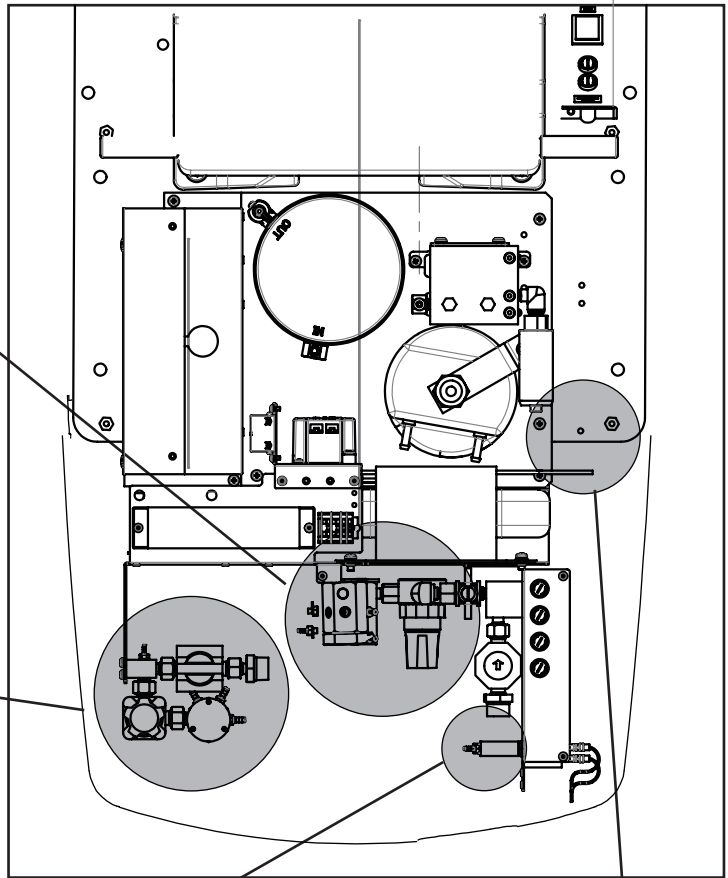
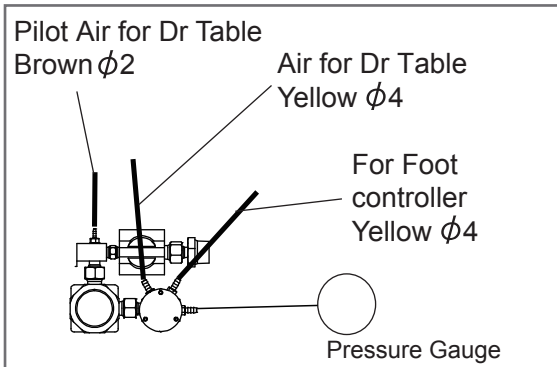


9. Tubings connection

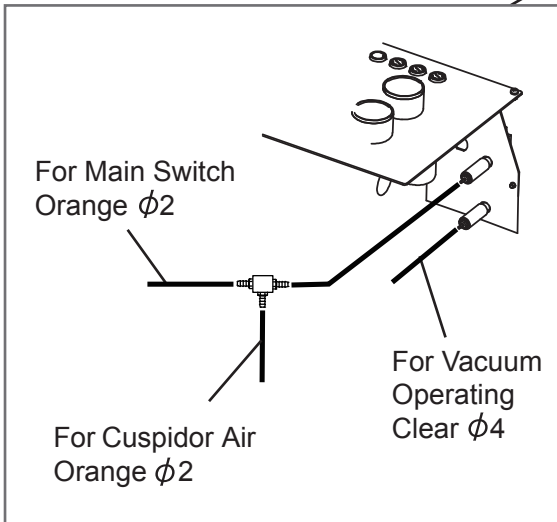
Main water master valve



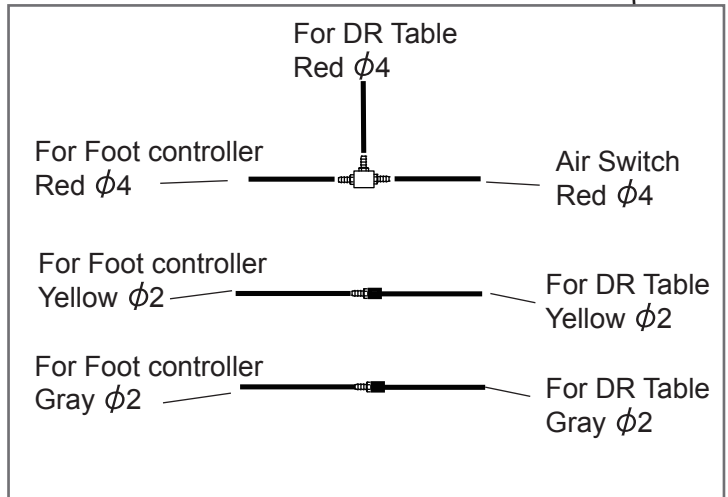
Main air master valve



Air switch

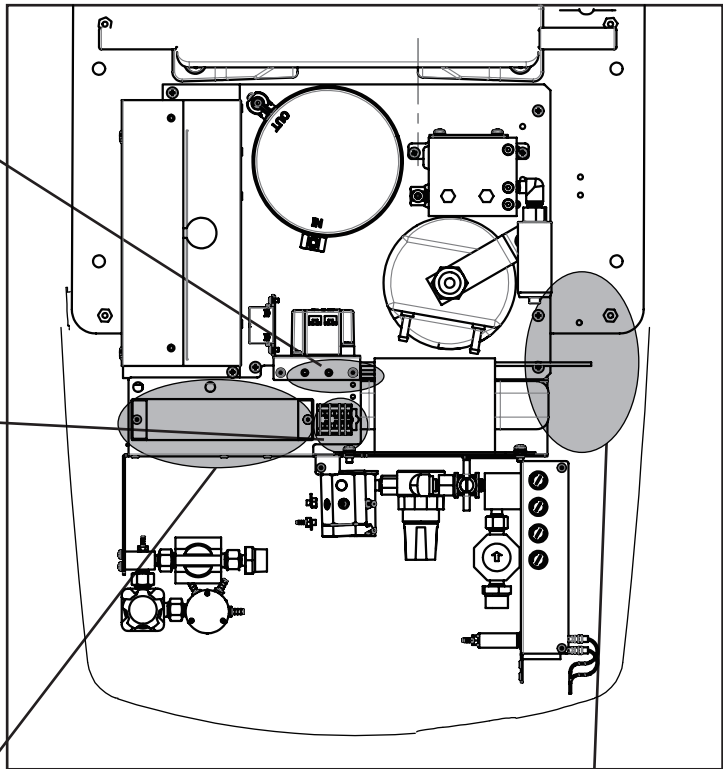
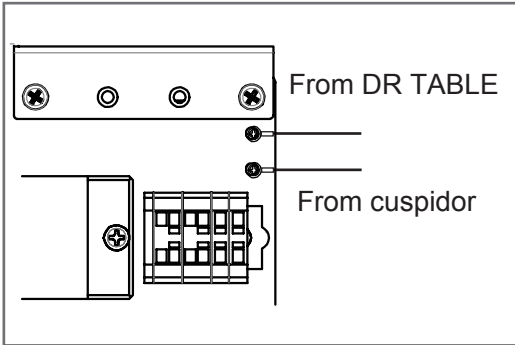


Foot controller

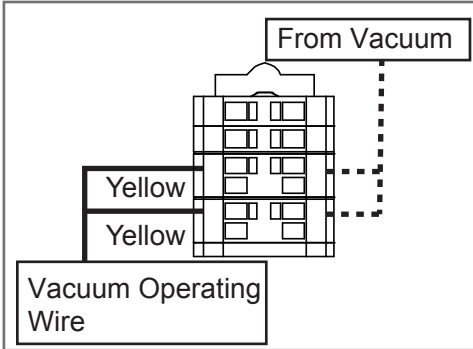


10. Electric wires connection

Earth

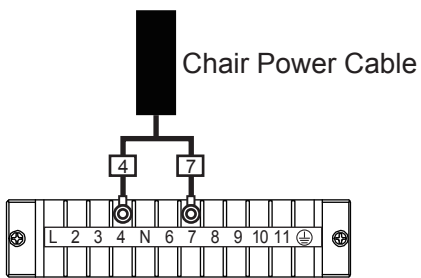
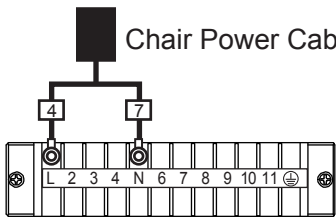


Vacuum Operating Wire

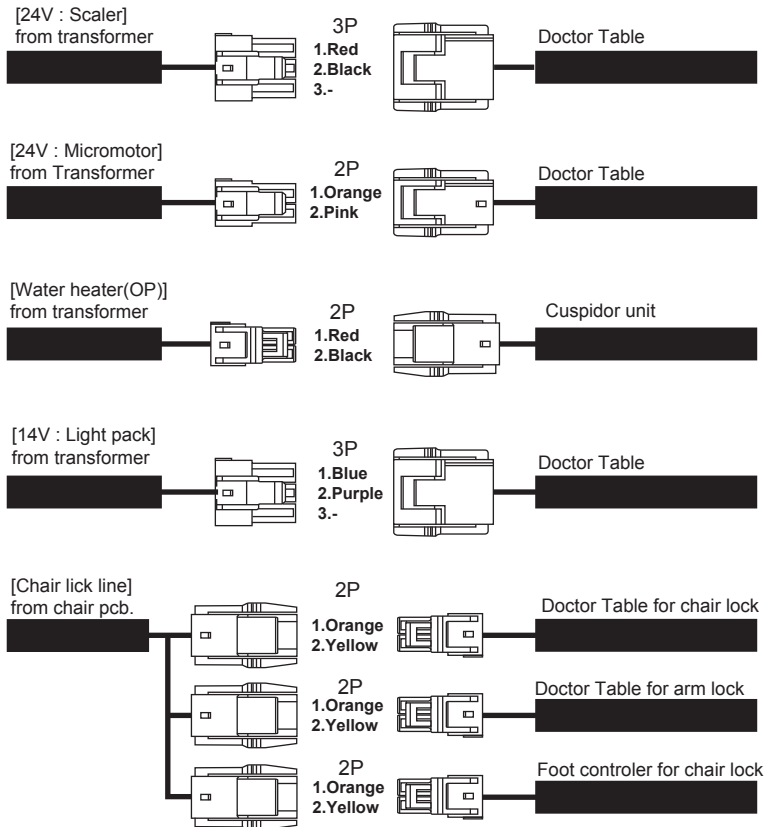


Terminal Block

Remove the chair power cable from the terminal block L and N.
Connect the chair power cable to the terminal block 4 and 7 as shown in the figure below.

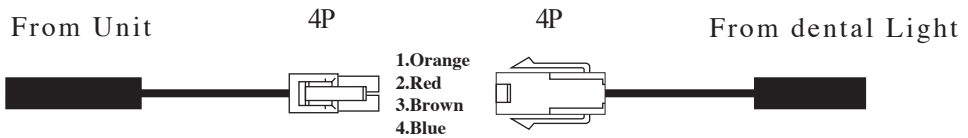
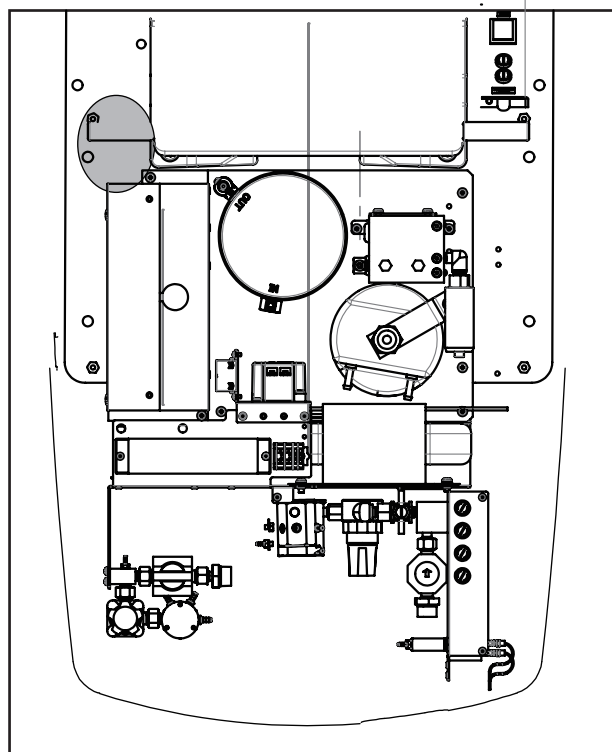


Connectors



11. Installation of Dental Light

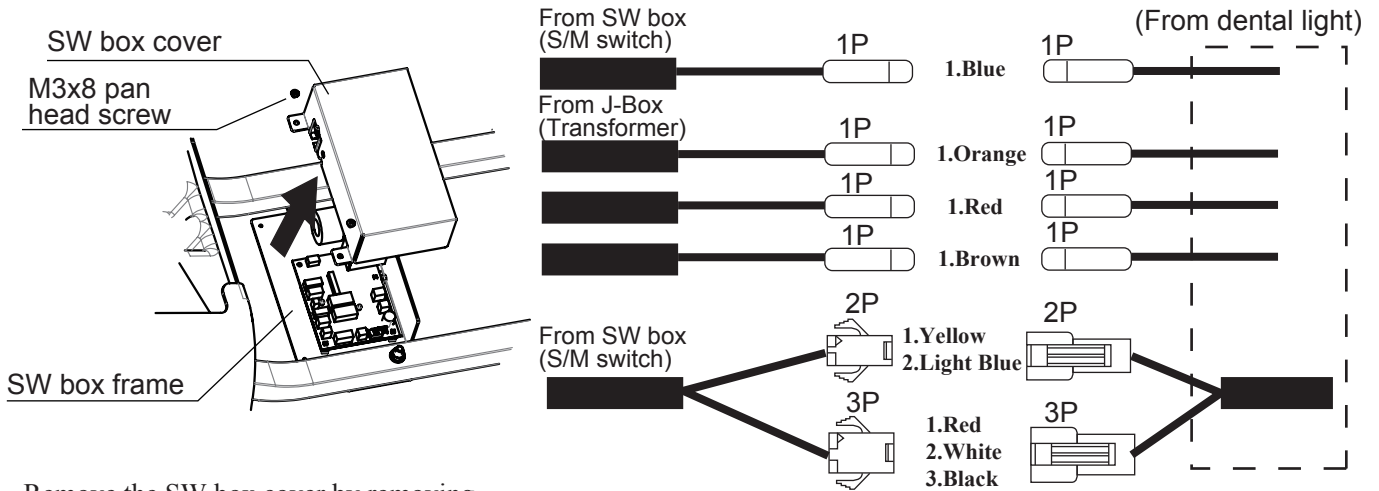
(1) Wiring Connection for 701DENTAL LIGHT 720VGM



CAUTION

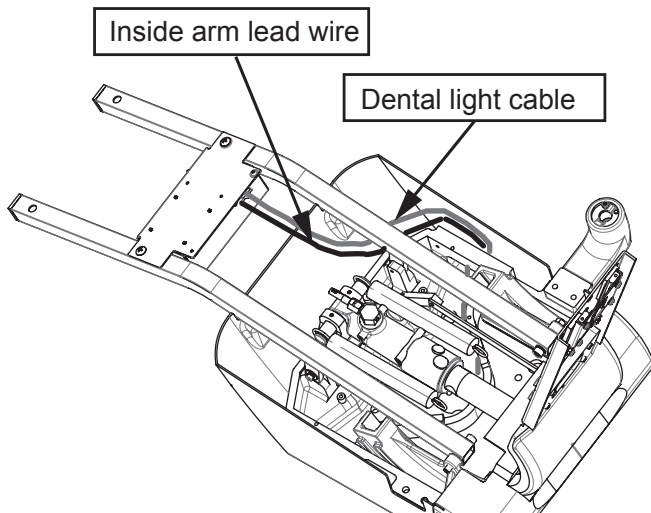
- Securely insert a connector.
- Make sure pins are firmly inserted into the connector.
- When you remove a connector, instead of pulling wire, pull a connector by holding connector housing.

(2) Wiring Connection for IO5000 DENTAL LIGHT

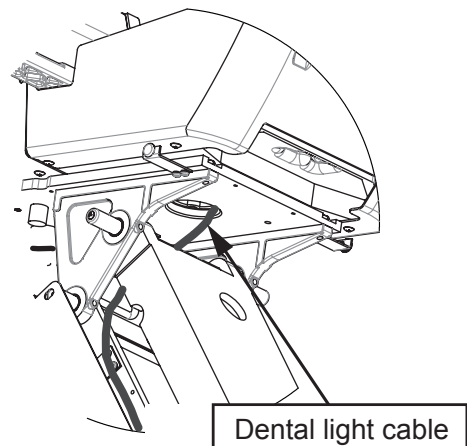


Remove the SW box cover by removing the M3 x 8 pan head screw.

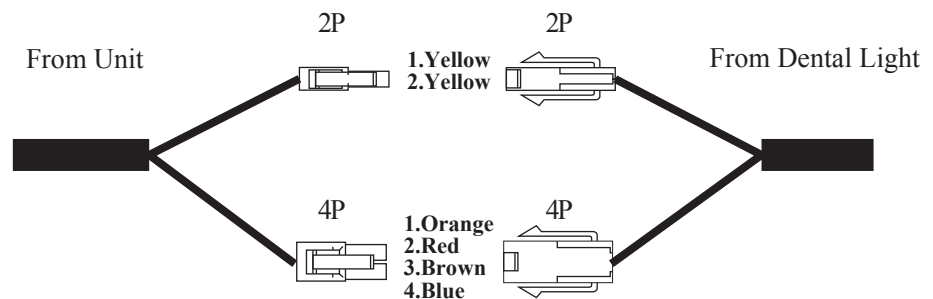
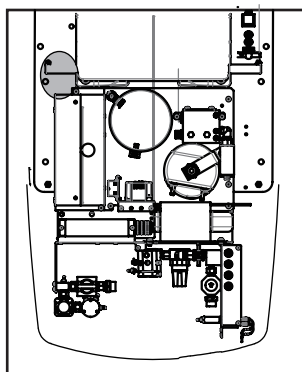
Connect the connectors from dental light to connectors from switch box at inside of SW box as shown above. Reattach the switch box cover with (2) M3 x 8 pan head screws.



Pass the dental light cable in the figure above through flange hole into under the swing arm mounting plate.



Pass the above dental light cable along the right side of chair link portion.

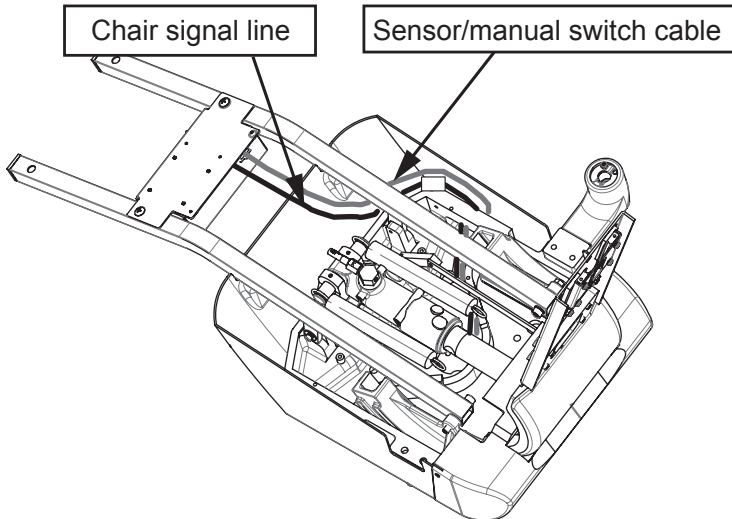


Connect the cables at junction location as shown above.

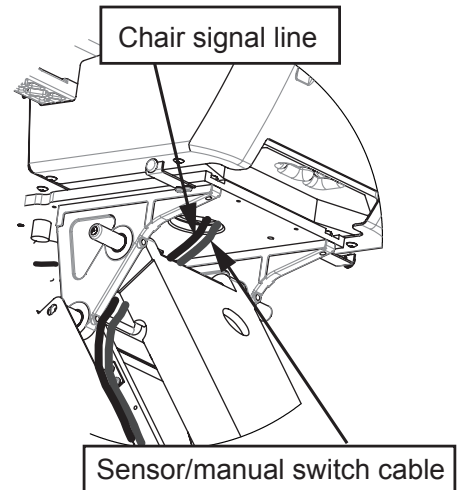
⚠ CAUTION

- Securely insert a connector.
- Make sure pins are firmly inserted into the connector.
- When you remove a connector, instead of pulling wire, pull a connector by holding connector housing.

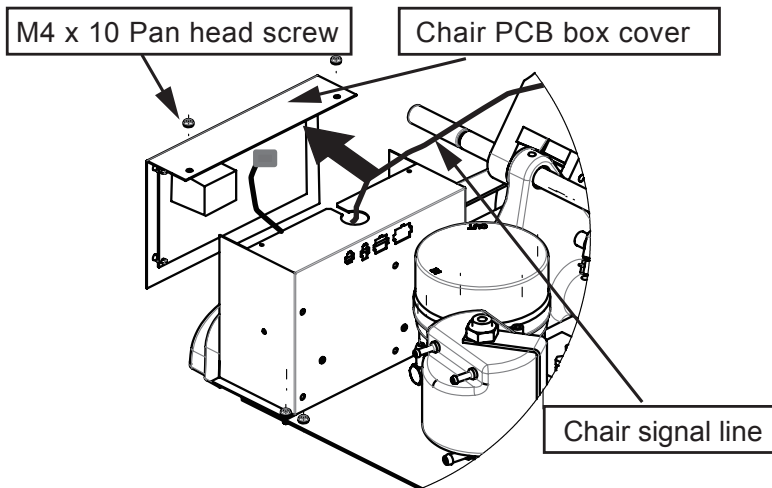
(3) Wiring Connection for 300LED DENTAL LIGHT



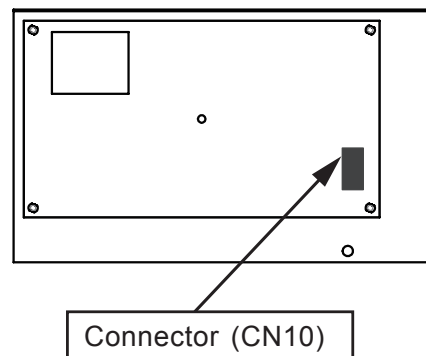
Pass the two cables in the figure above through flange hole into under the swing arm mounting plate.



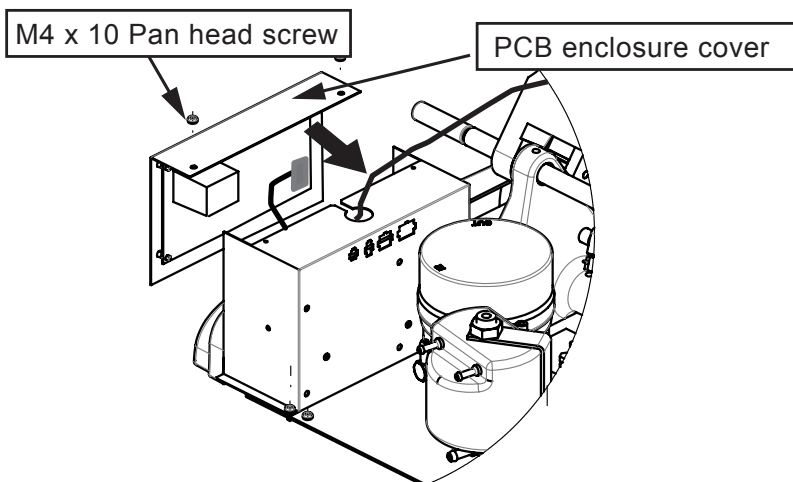
Pass the above tow cables along the right side of chair link portion.



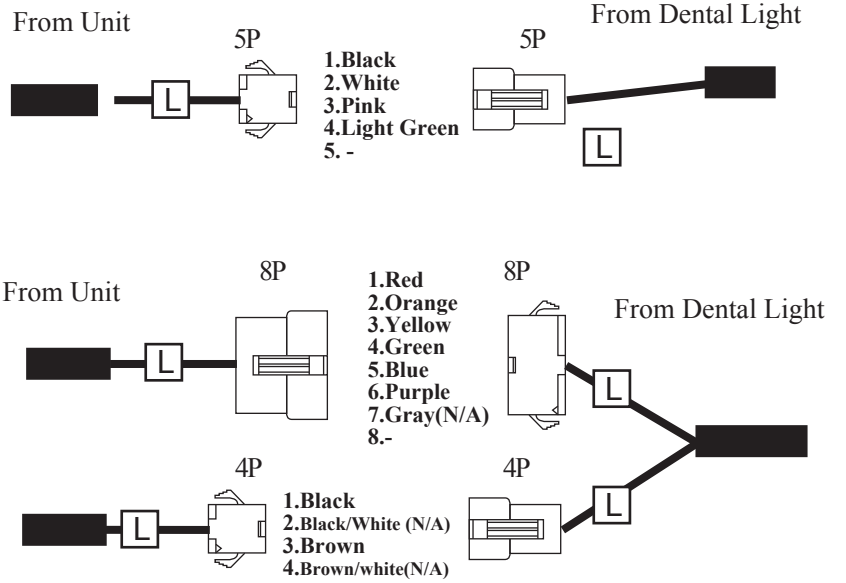
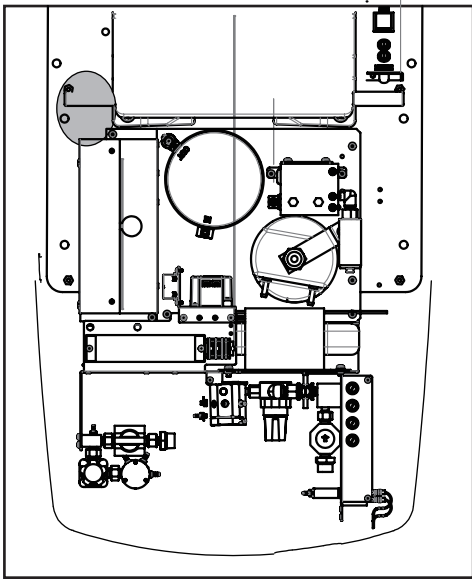
Remove the chair PCB box cover by removing the M4 x 10 pan head screw. Pass the chair signal line through the hole of the chair PCB box.



Connect the connector of trunk line for chair control to CN10 on the chair control PCB.



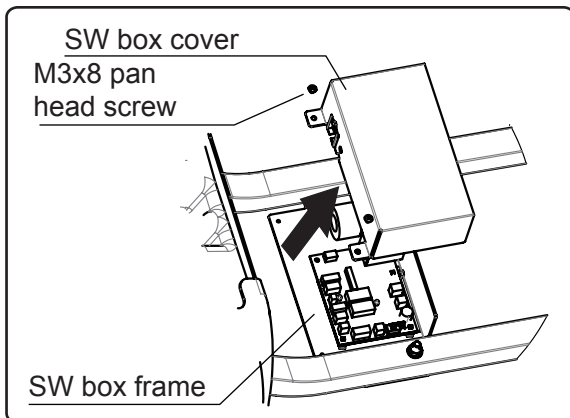
Fix the chair PCB box cover with M4 x 10 pan head screw.



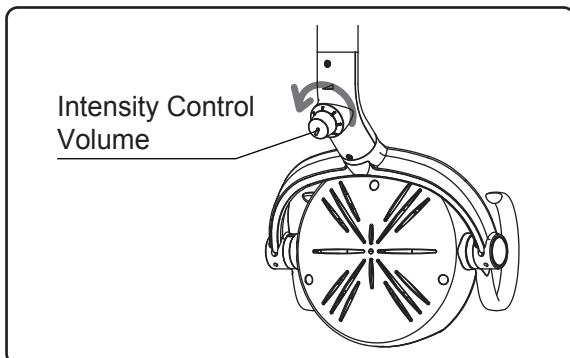
⚠ CAUTION

- Securely insert a connector.
- Make sure pins are firmly inserted into the connector.
- When you remove a connector, instead of pulling wire, pull a connector by holding connector housing.

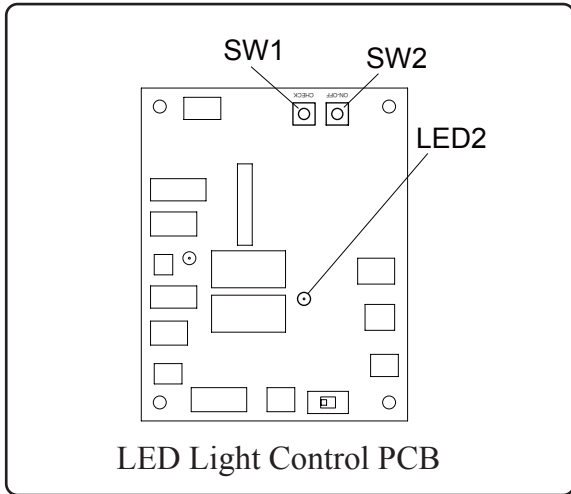
(4) Set the Lower Volume Limit of 300LED DENTAL LIGHT



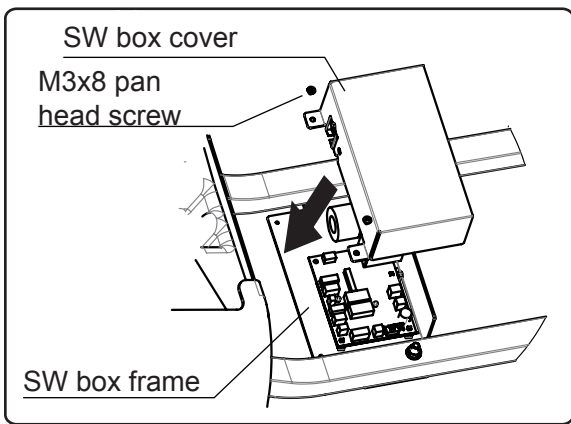
- (1) Remove the SW box cover by removing the M3 x 8 pan head screw.



- (2) Turn light intensity control volume to its lowest end. (Turn counterclockwise)



- (3) Push SW1 (CHECK) on a LED Light Control PCB.
=> LED2 (Yellow) brinks.
- (4) Push SW2 (ON-OFF) on a LED Light Control PCB.
=> LED2 (Yellow) turns off.

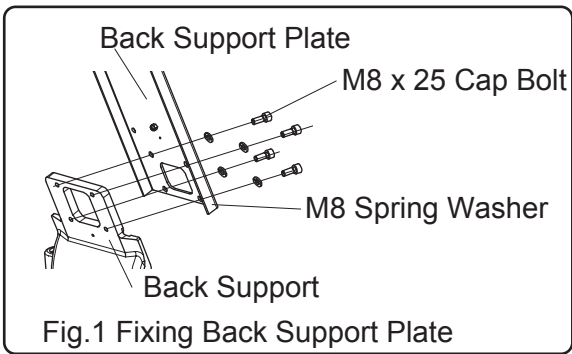


- (5) Fix the SW box cover with the M3 x 8 pan head screw.

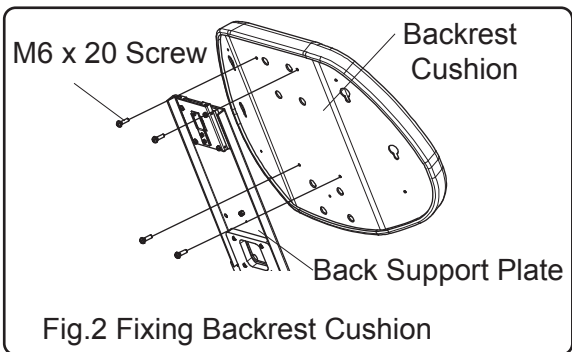
(5) Check Operation of the Dental Light
(701DENTAL LIGHT, IO5000 DENTAL LIGHA, 300LED DENTAL LIGHT)

Item	Inspection method	Method of confirmation
Sensor/Manual Select Switch (IO5000,300LED)	<ul style="list-style-type: none"> • Change the mode of select switch, make sure working properly. • Confirm the direction of the select switch label and function of the switch, it must be coinciding with each other. Switch labels and switch must be coinciding with each other. 	Visual check
Light ON/OFF (ALL LIGHT)	<ul style="list-style-type: none"> • Confirms the light turns ON and OFF by the touchless switch 	Operation Check
Touchless Sensor (IO5000,300LED)	<ul style="list-style-type: none"> • Confirms the light ON and OFF when shake hand within approximately 65mm from the touchless switch 	Operation Check
	<ul style="list-style-type: none"> • Confirms switching the composite mode when hold hand within approximately 65mm from the touchless switch for 2 seconds. (300LED DENTAL LIGTH) 	Operation Check
Movement of the Light (ALL models)	<ul style="list-style-type: none"> • Make sure the light head stops and hold any positions. • Make sure that no abnormal noise and wobble occurs when the product is operated. 	Operation Check

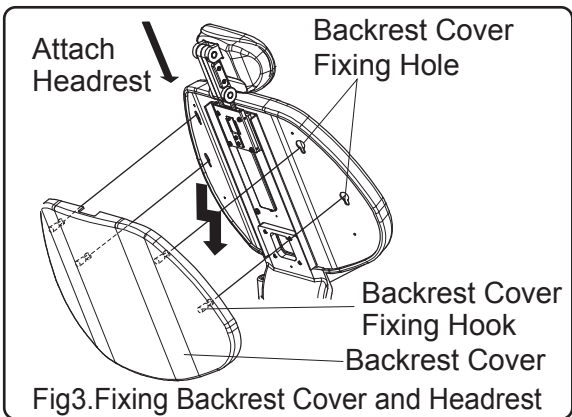
12. Installation of Backrest, Seat and Armrest



- (1) Fixing the Backrest
Fix the back support plate to the back support by (4) M8 x 25 cap bolts and spring washers. (Fig.1)

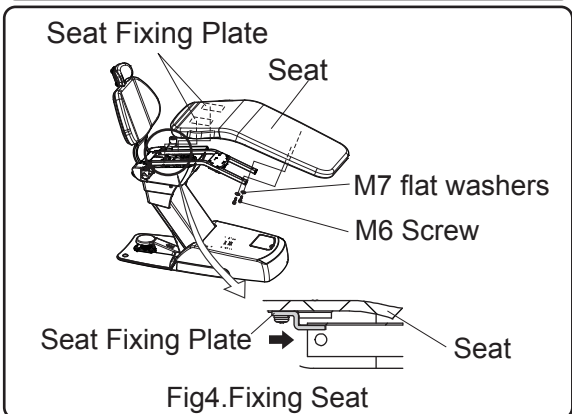


- (2) Fix the backrest cushion to the back support plate by (4) M6 x 20 pan head screws. (Fig.2)

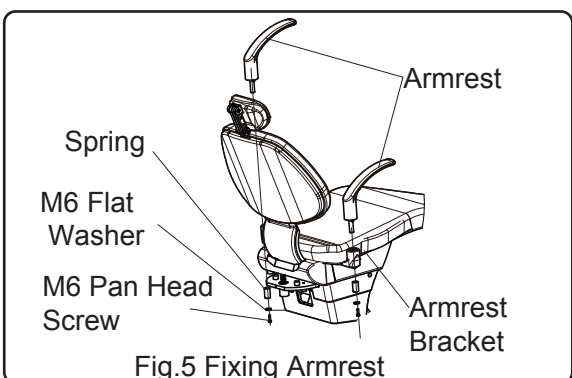


- (3) Attach the backrest cover to the backrest cushion.
Insert four hooks of backrest cover into the fixing holes of the backrest.
Keep pressing the backrest against backrest, slide down the backrest cover . (Fig.3)

- (4) Attach the headrest. (Fig.3)

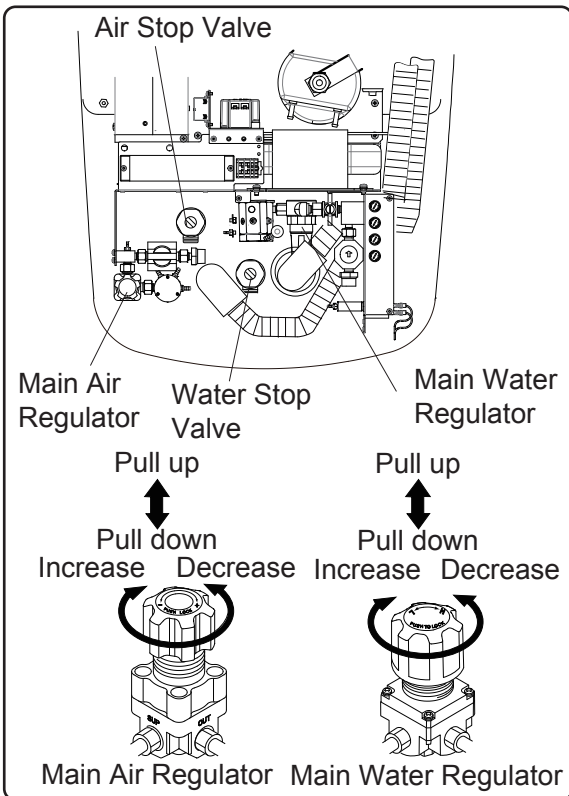


- (5) Fix the seat to the base section
Hook the seat hooks to the seat fixing plate on the chair base and screw the seat to the seat frame with (2) M6 x 35 screws and (2) M7 flat washers. (Fig.4)



- (6) Fix the armrest to the armrest bracket with M6 x 25 pan head screw, M6 flat washer and spring. (Fig.5)

13. Adjustment



Air , water pressure reduction adjustment

Unit Section Adjustment

(1) Water and Air Stop Valves

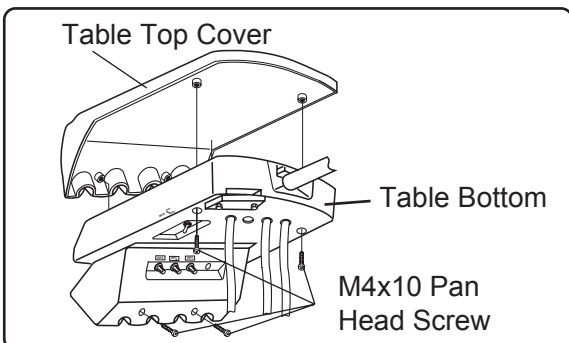
Open the water stop valve and the air stop valve in the junction section. Turn on the master switch and check that water and air are not leaking.

(2) Main Air Pressure

The main air pressure has been adjusted in the factory. Confirm that the main air pressure is at 0.5 - 0.55Mpa (5.0 - 5.5 kgf/cm²) by the main air pressure gauge. The main air pressure can be regulated by the main air regulator in the junction section.

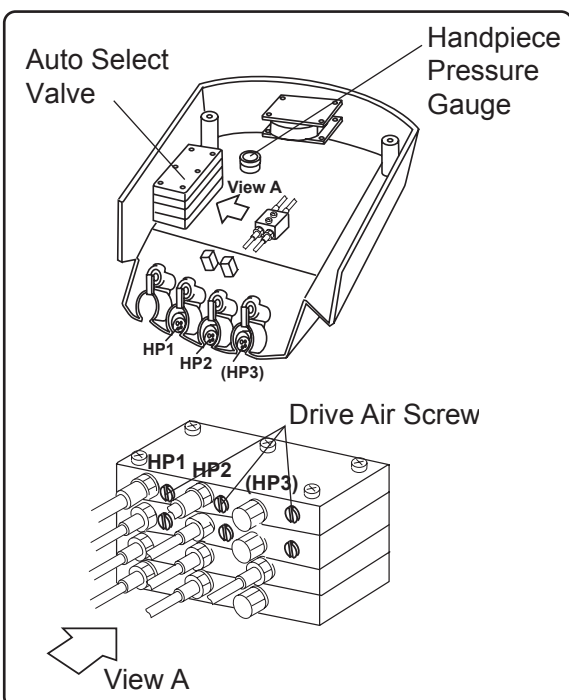
(3) Main Water Pressure

The main water pressure has been adjusted in the factory. Confirm the main water pressure is at 0.2 MPa (2.0 kgf/cm²) by the main water pressure gauge. The main water pressure can be regulated by the main water regulator in the junction section.



Handpiece Adjustment

(1) Loosen (4) M4 x 10 screws from the table bottom and remove the table top cover.



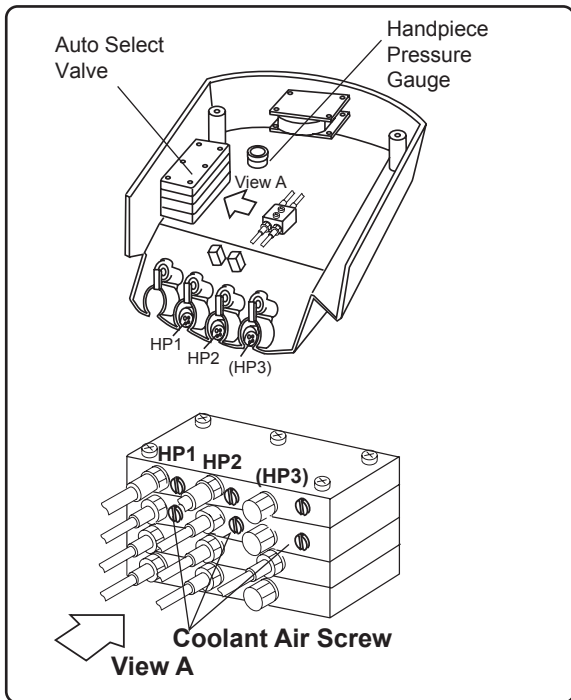
(2) Handpiece Drive Air Adjustment Screws

Adjustment of drive air of each handpiece can be made by the screw on the auto select valve. It is important to set the drive air pressure in according with the handpiece manufacture's recommendation. Drive air pressure is indicated by the handpiece pressure gauge.

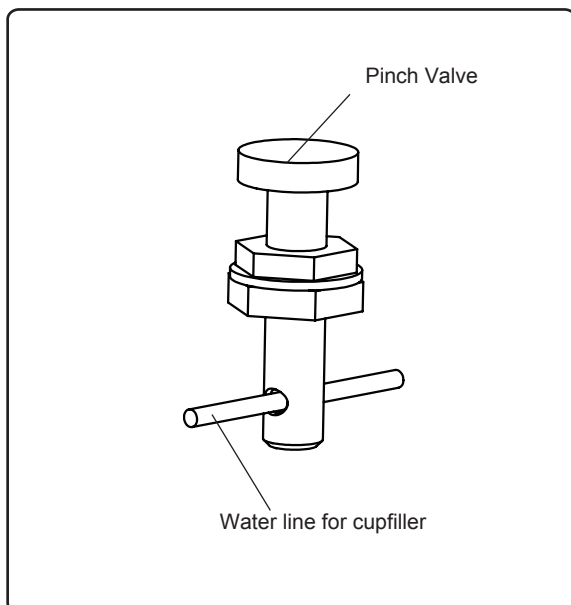
(3) Setting The Optimum Condition

Turn the appropriate drive air screw fully clockwise, then depress the drive air pedal of the foot control fully (maximum foot pressure) and turn the screw counterclockwise slowly.

Stop turning the screw immediately when the handpiece pressure gauge shows the desired drive air pressure.

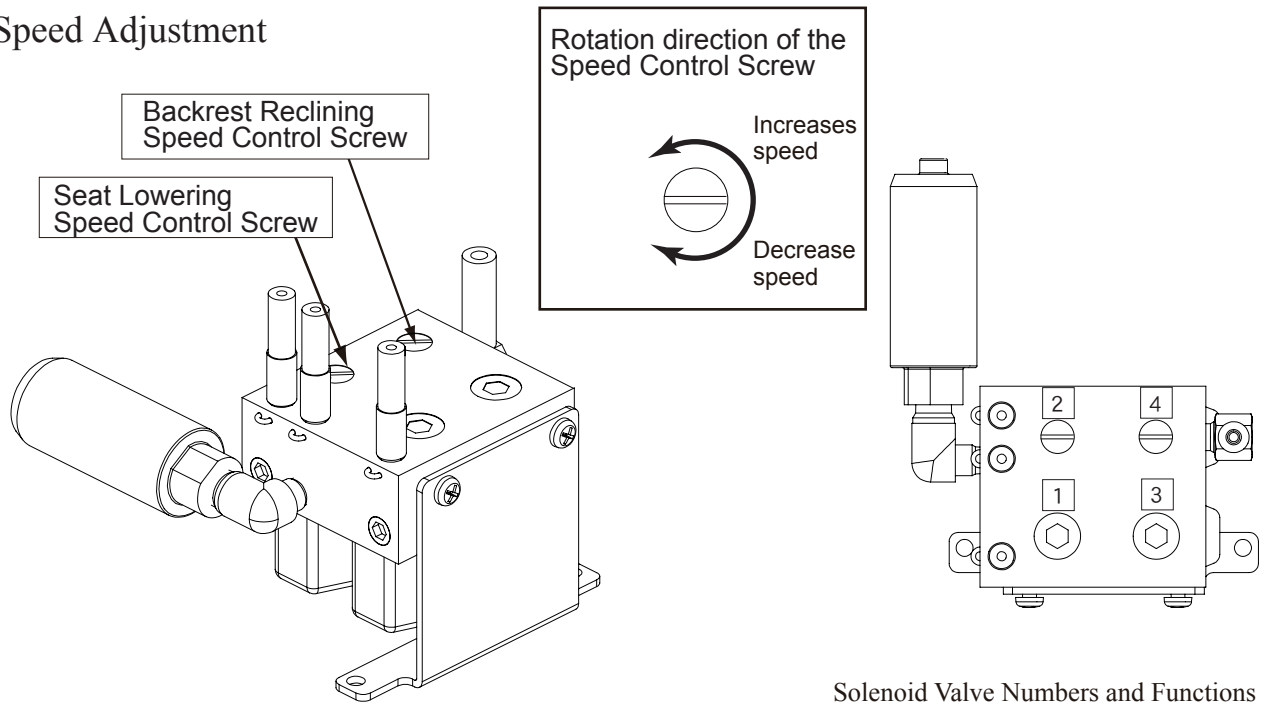


- (4) Handpiece Coolant Air Adjustment Screws
 Handpiece coolant air adjustment screws are provided for individual adjustment of handpiece coolant air. Turning a handpiece coolant air adjustment screw counterclockwise increases flow volume and turning clockwise decreases.
Do not loosen the screws too much, which may cause air leakage.



- (5) Cupfiller Water Pressure Adjustment Pinch Valve
 Adjustment of cupfiller water pressure can be made by the pinch valve. Turning a pinch valve counterclockwise increases flow volume and turning clockwise decreases it.

■ Speed Adjustment



Seat lowering speed and backrest reclining speed can be adjusted by the speed control screw on the solenoid valve block.

- (1) Remove the pump cover.
- (2) Turning the speed control screw clockwise to decrease the speed and turning counterclockwise to increase the speed.
- (3) After adjustment, reattach the pump cover.

Solenoid Valve Numbers and Functions

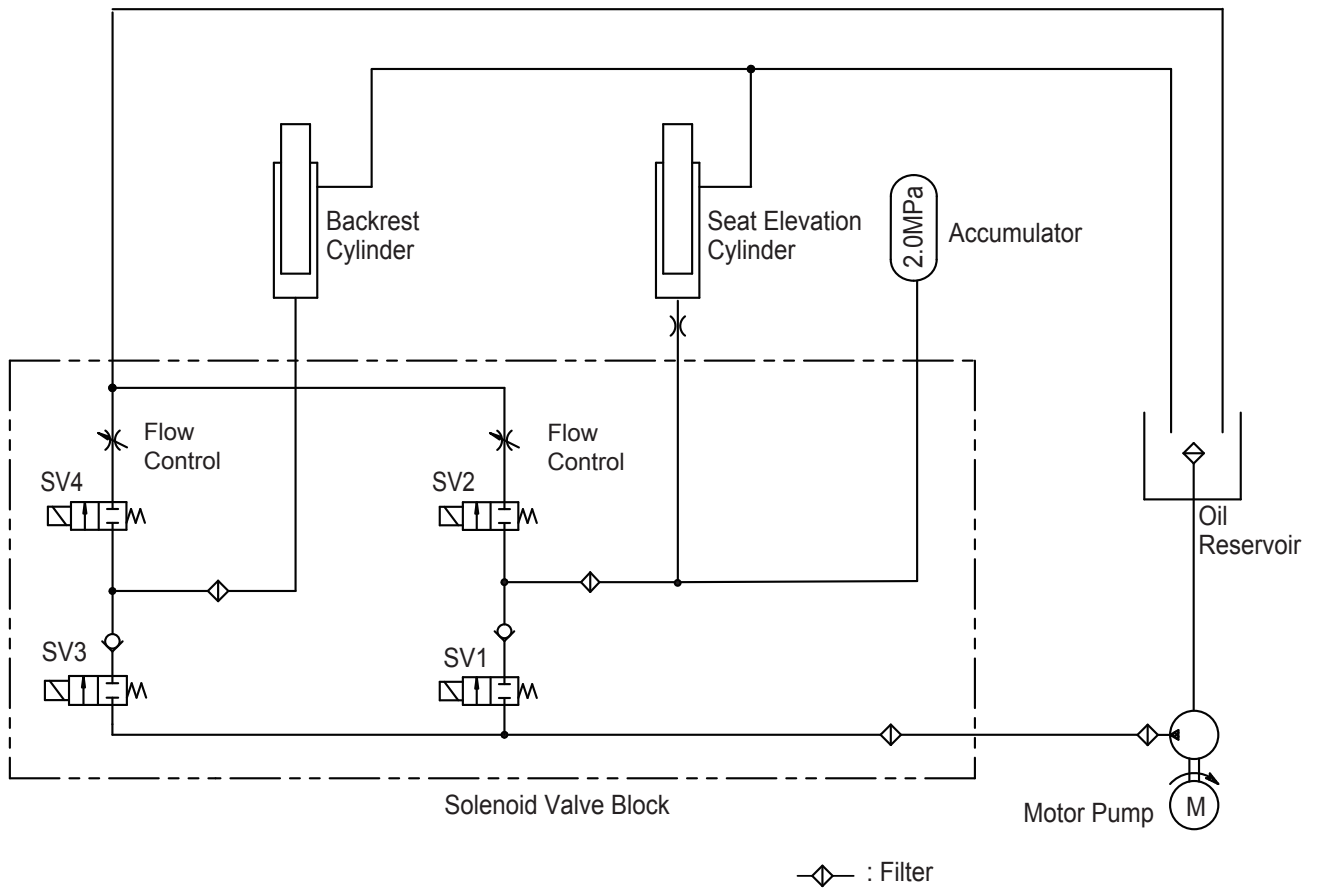
- | | |
|---|--------------------------|
| 1 | SV1 : Seat Lifting |
| 2 | SV2 : Seat Lowering |
| 3 | SV3 : Backrest Raising |
| 4 | SV4 : Backrest Reclining |

⚠ CAUTION

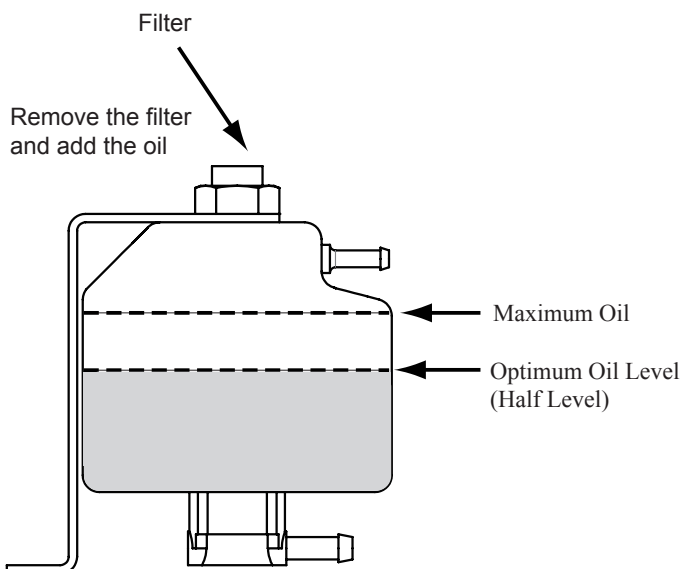
Oil may leak from the speed control screw if the speed is increased excessively.

14. Solenoid Valve Numbers and Functions

14-1.HYDRAULIC DIAGRAM



14-2.Amount of Hydraulic Oil



Move the chair to the lowest seat position and the backrest to the fully reclined position.

Confirm the hydraulic oil amount in the oil reservoir is half or more.

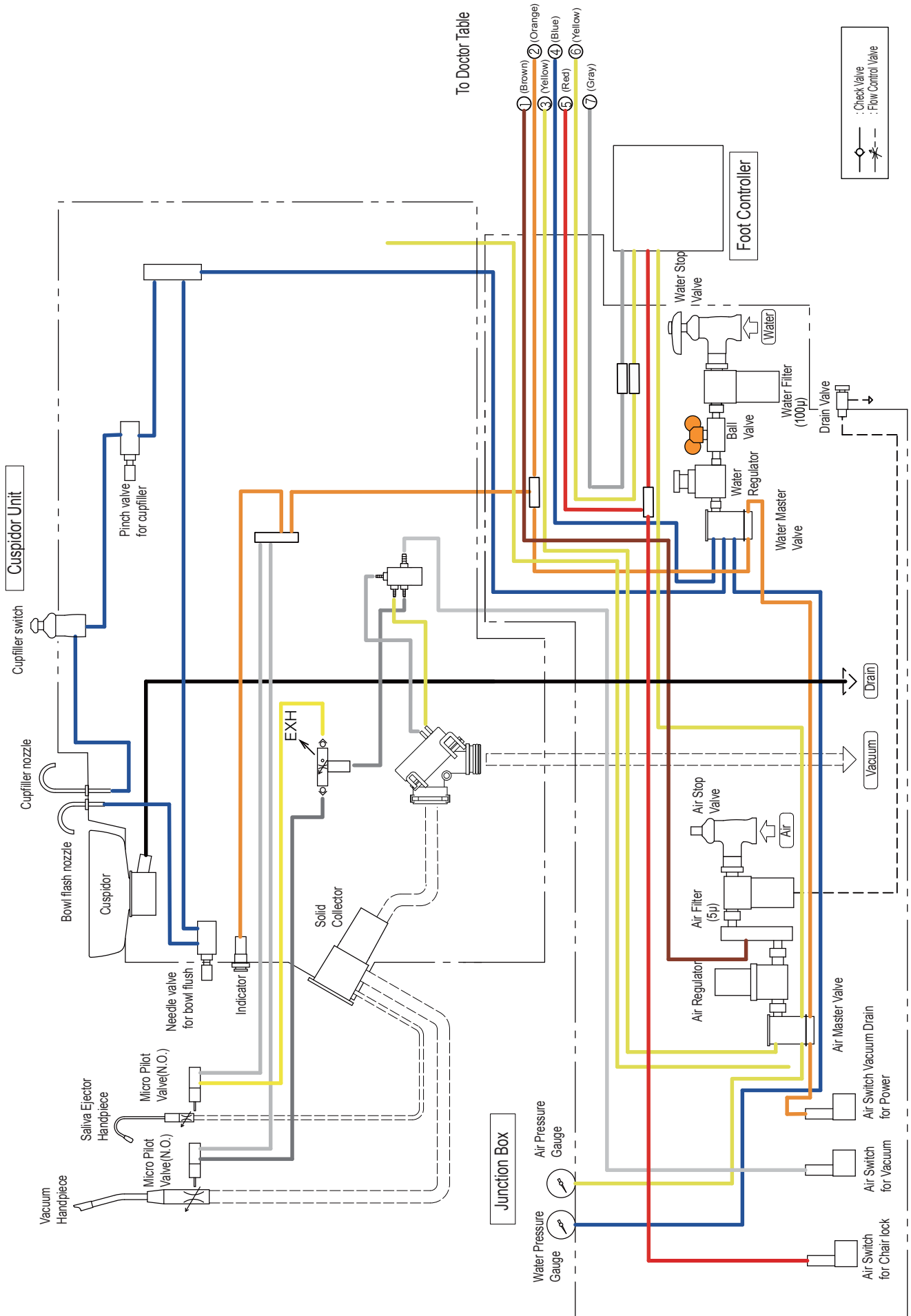
(Optimum oil amount is half levels in the oil reservoir).

When oil amount is less than half, remove the filter on an oil reservoir and add oil to half level.

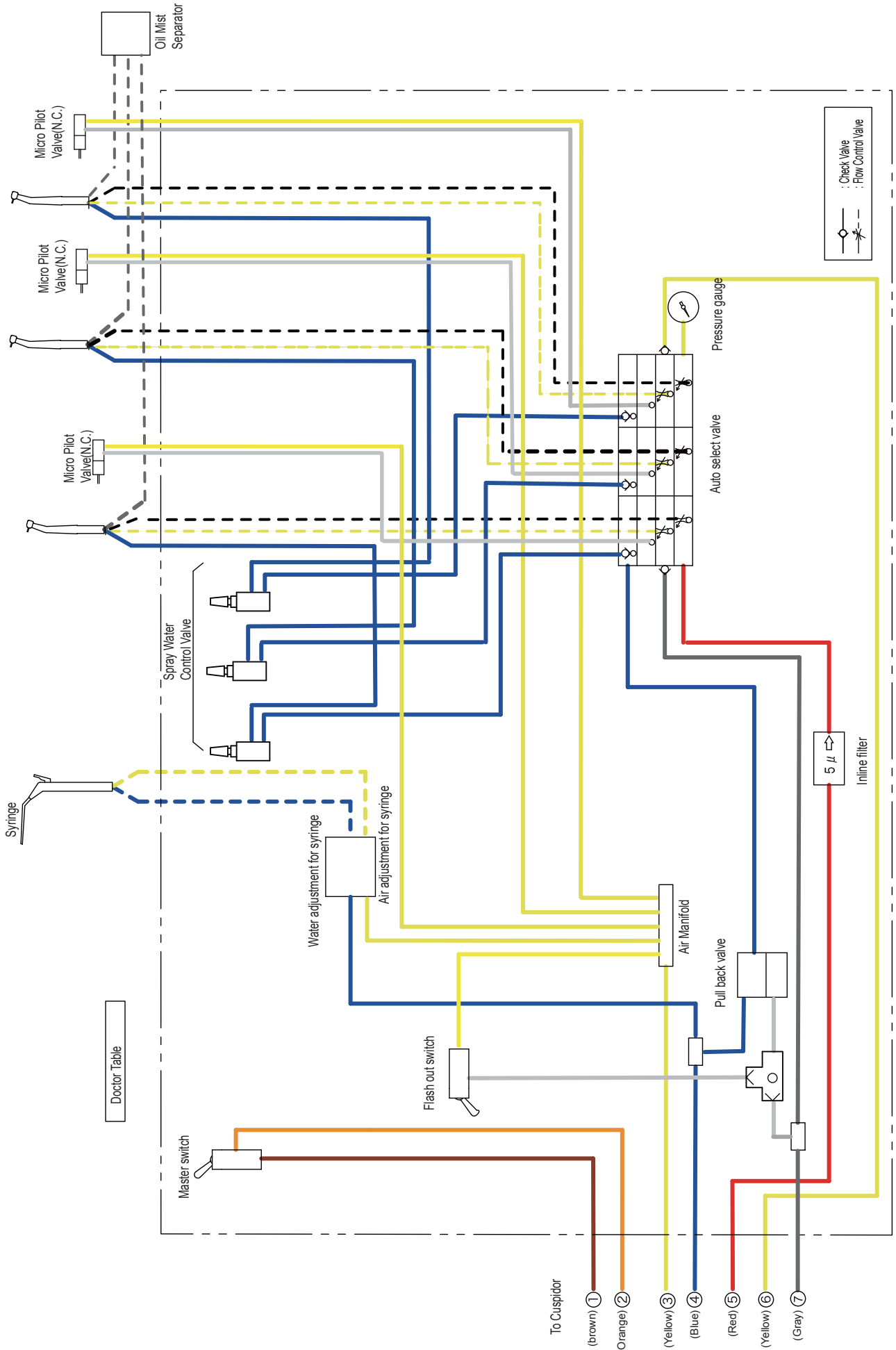
Do not add hydraulic oil more than maximum oil level as shown on left figure, oil may overflows during operation.

15. Unit Flow Diagram

15-1. Water / Air Flow Diagram

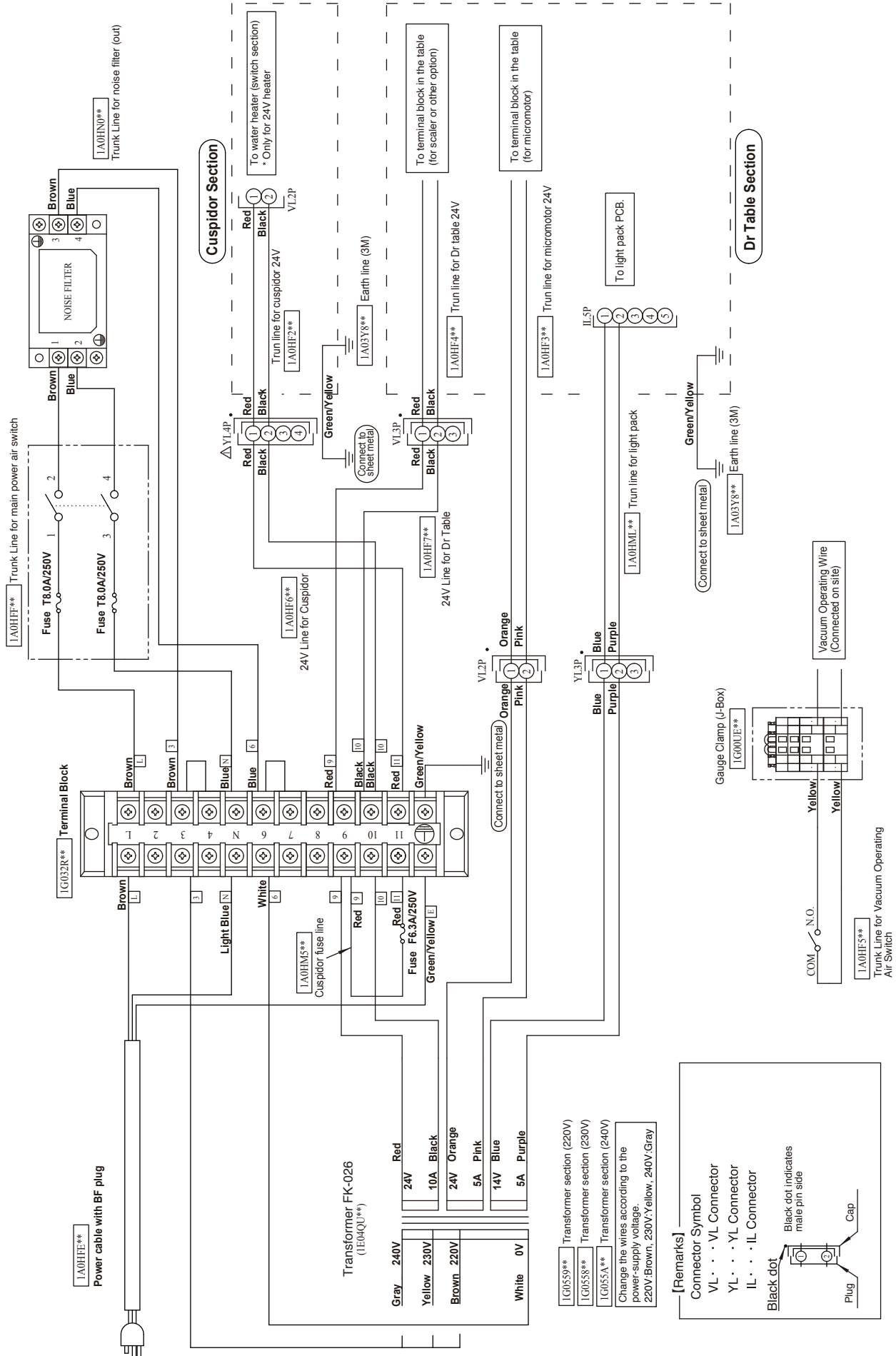


15-2. Doctor Table Flow Diagram (Water / Air)

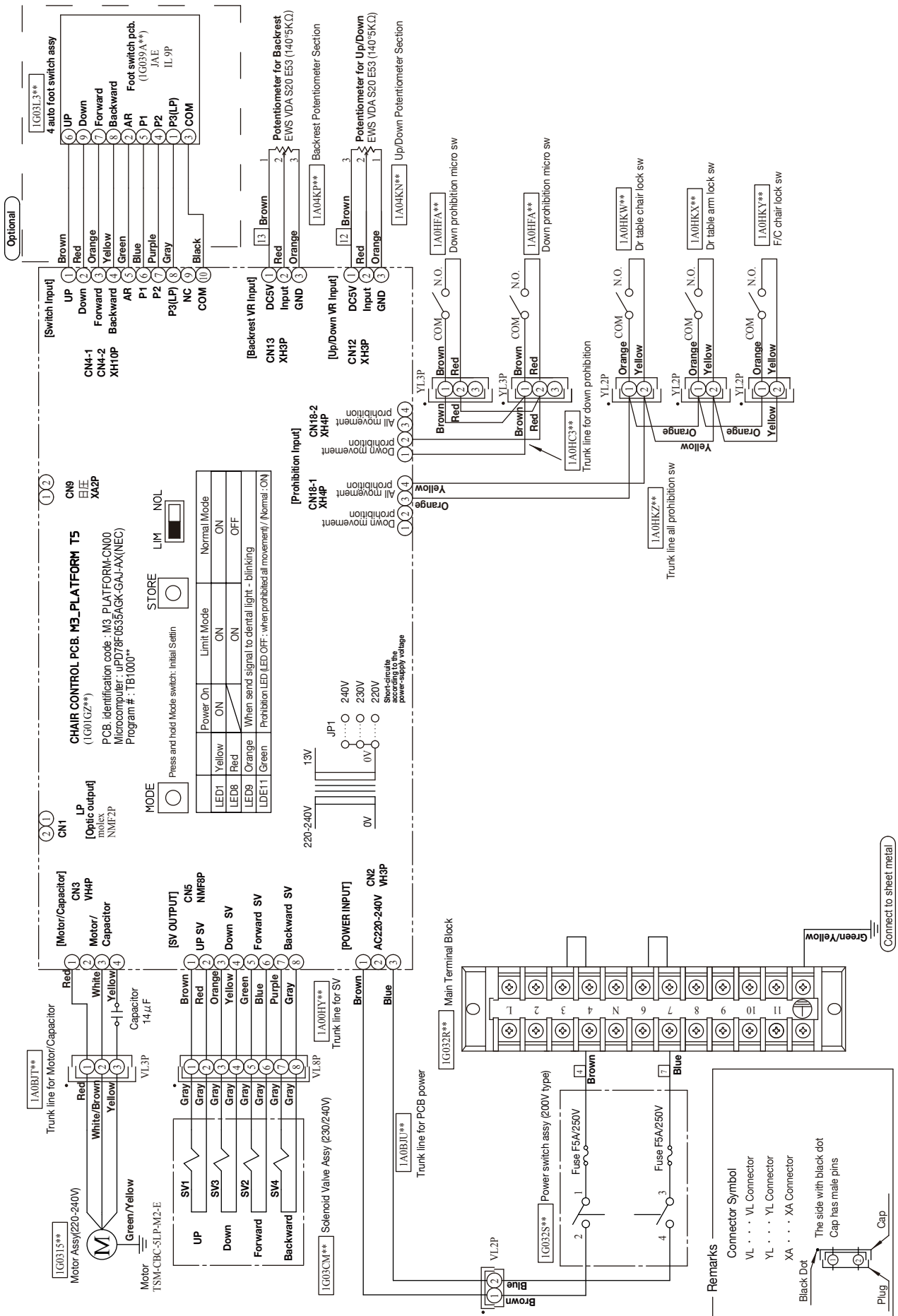


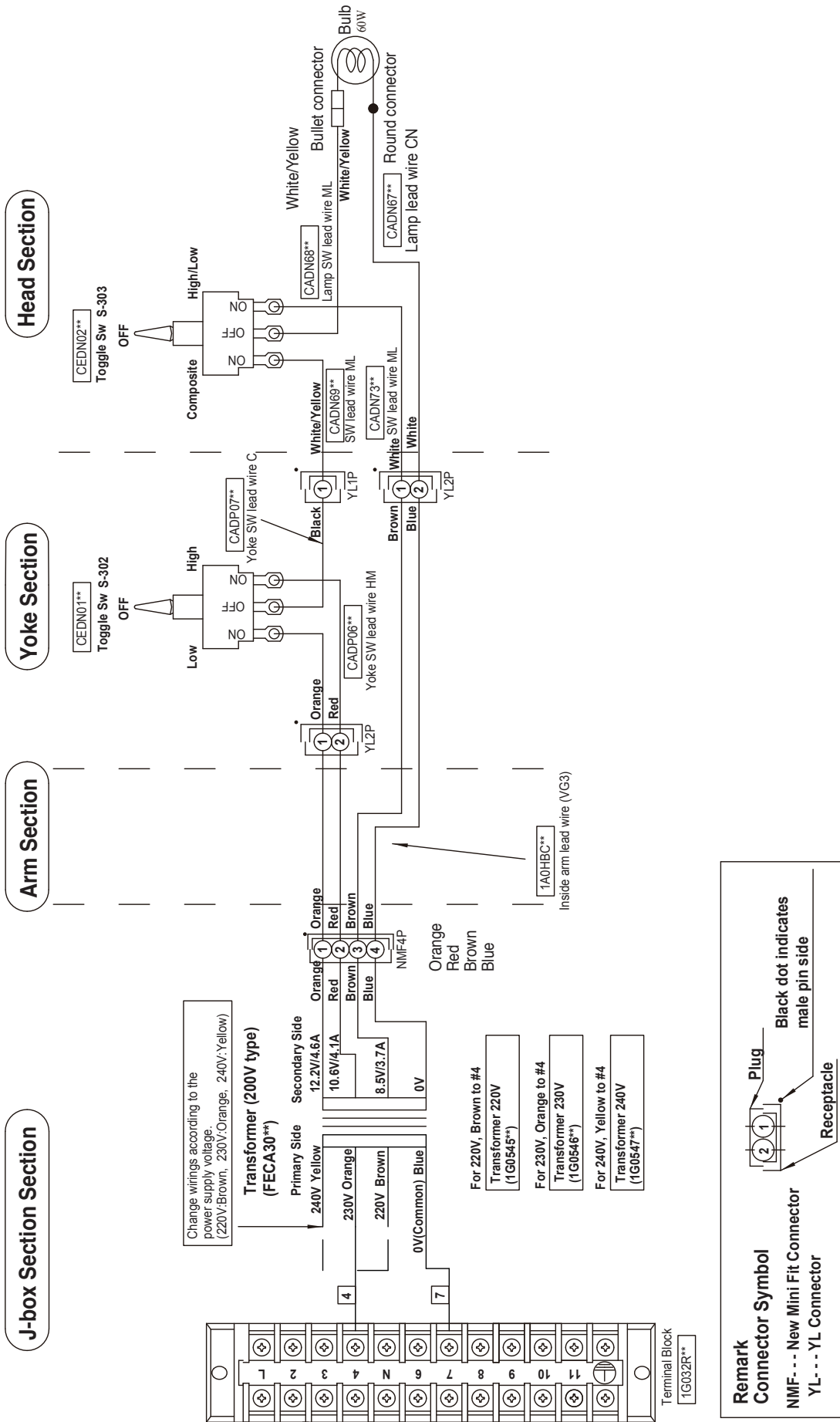
16. Electrical Diagram

16-1. Junction Box Section (220V,230V,240V)

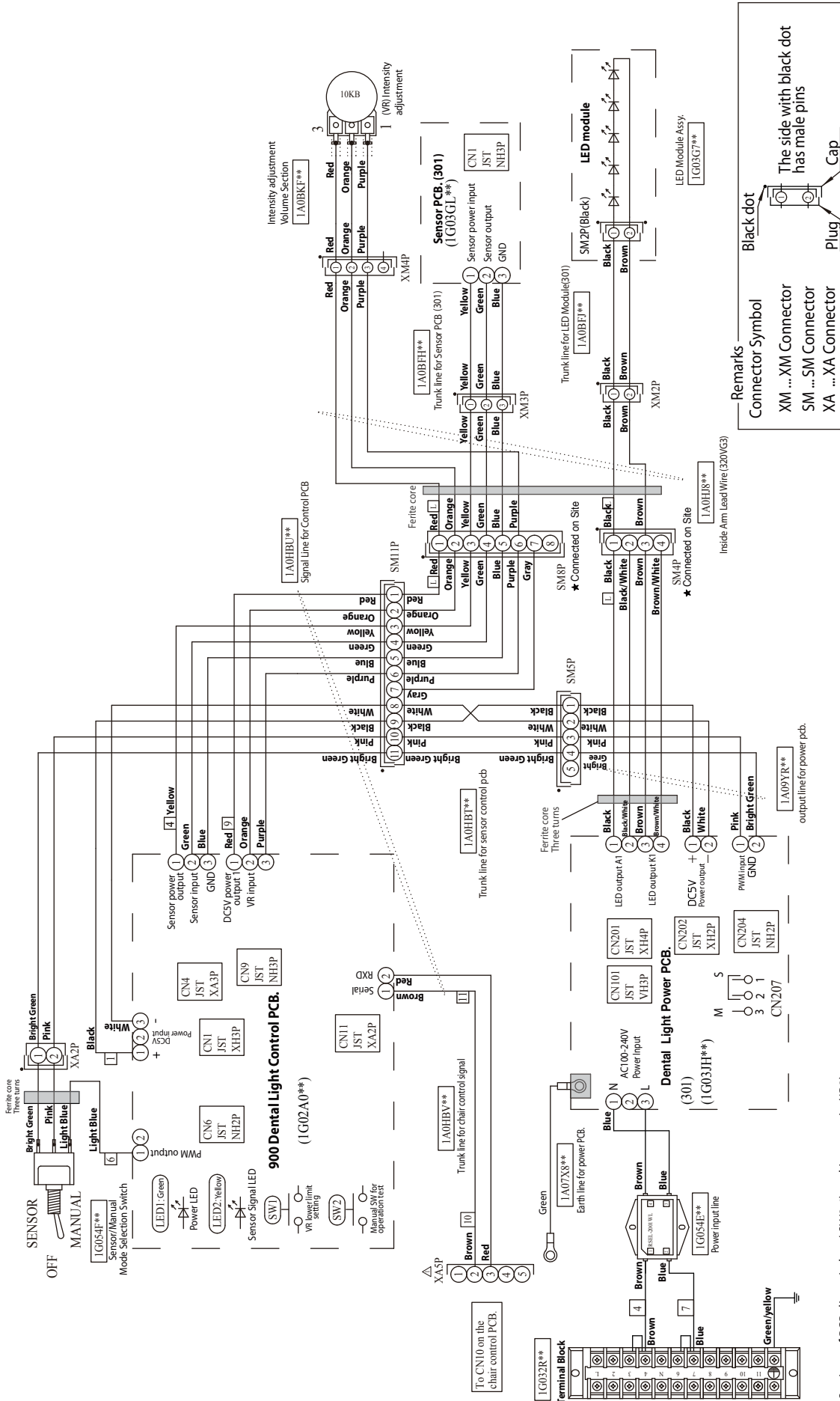


16-2. Chair Section (220V,230V,240V)





16-5. 300LED DENTAL LIGHT TYPE 320S (220V,230V,240V)



Remarks
 Connector Symbol
 XM ... XM Connector
 SM ... SM Connector
 XA ... XA Connector

The side with black dot has male pins

Cap

Plug

Setting	Setting condition	Default setting
5	Sensor activation setting Off: Activate when a hand goes away, On: Activate when a hand comes in.	OFF
6	Includes Composite Mode Off: Yes, On: No	OFF
7	Speed setting of communication line Off: 4800bps, On: 2400bps	OFF
8	LED blink setting of Composite Mode Off: Slow blinking, On: Rapid blinking	OFF
SW4	PC side: Clair Unit, 232 side: CP-One plus	PC
JP3	PC side: Clair Unit, 232 side: CP-One plus	PC

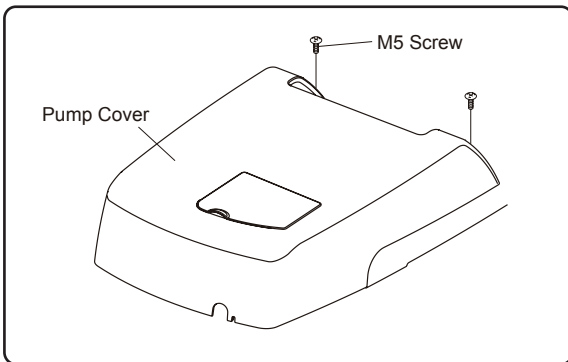
Setting	Setting condition	Default setting
1	Test mode (Always OFF) Off: Normal operation, On: Test operation	OFF
2	Transition time to Composite mode (by a sensor) Off: 1 second, On: 2 seconds	ON
3	Wake-up brightness setting from light off condition. Off : 1. Composite Mode when a light is turned on by using a sensor. : 2. Keeps on getting on/off signal from dr. table, light stays in composite mode. On : 1. Regular Mode when a light is turned on by using a sensor. : 2. Keeps on getting on/off signal from dr. table, light goes into regular mode.	ON
4	Combining dental unit Off: Clair unit, On: CP-One plus	OFF

Settings of PCB dip switches (SW3,4) and jumper pin (JP3).

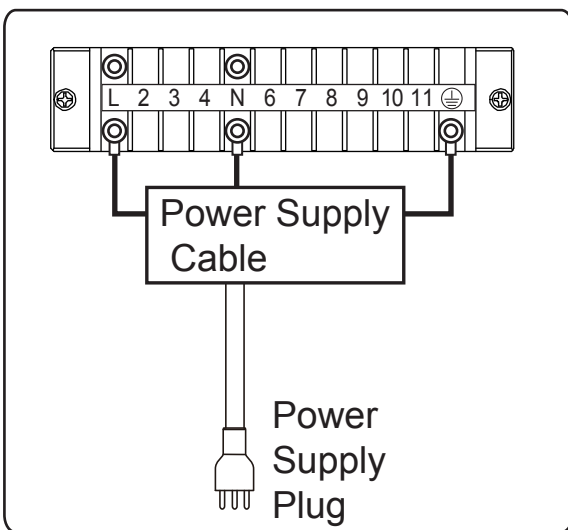
17. REPLACEMENT

17-1. Power Supply Cable

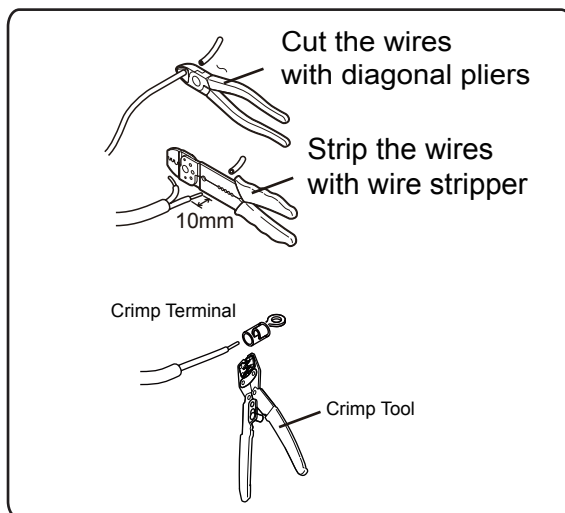
Replacement must be done by an professional technician(s) of our company or a company authorized by us.



- (1) Remove the pump cover by loosen the two M5 screws.

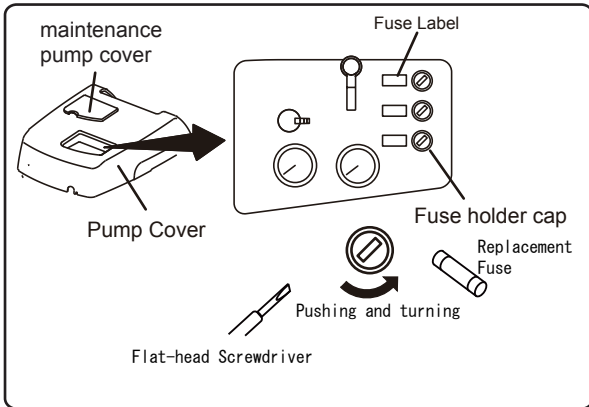


- (2) Remove the power supply cable from terminal block by loosen the screws.



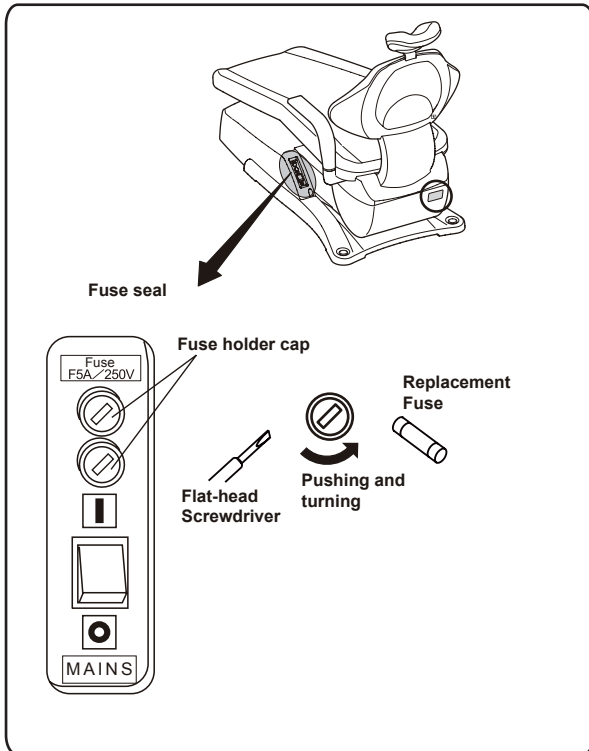
- (3) Connect the new power cable
- * How to connect wires to terminal block
- 1) Cut the wires at suitable length with a diagonal pliers.
 - 2) Cut the exterior insulation of the power cable wires about 10mm using the wire stripper.
 - 3) Insert the earth wire to crimp terminal and connect with crimp tool.
 - 4) Fix the power supply cable to terminal block with screws.

17-2.Fuse



Unit

- (1) Remove the maintenance pump cover.
- (2) Remove the fuse holder cap by pushing and turning counterclockwise with flat-head screwdriver.
- (3) Replace the fuse to the specification described in a fuse label. Attach the fuse holder cap by pushing and turning clockwise with flat-head screwdriver



Chair

- (1) Remove the fuse holder cap by pushing and turning counterclockwise with flat-head screwdriver.
- (2) Replace the fuse to the specification described in a fuse label. Attach the fuse holder cap by pushing and turning clockwise with flat-head screwdriver

NOTE



TAKARA BELMONT CORPORATION



2-1-1, Higashi shinsaibashi, Chuo-ku, Osaka, 542-0083, Japan

TEL : 81-6-6213-5945

FAX : 81-6-6212-3680

Book No. 1E04SCAE

Printed in Japan 2015-08